



Inclusive

# Ahoy 13

0130005

METAL - AHOY



## Material specification:

<b>Construction Material</b>	galvanized steel coated with powder paint for durability and corrosion resistance or made of stainless steel
<b>Additional Elements Handrails</b>	galvanized black steel, powder-coated or stainless steel
<b>Platforms</b>	plywood or HPL Panels
<b>Foundation</b>	buried in the ground to a specified depth and concreted with at least B-20 class concrete or bolted to a concrete base
<b>Sheets</b>	HDPE sheets with milled drawings or Solid polycarbonate sheets, clear or tinted
<b>Slides</b>	made of stainless steel, tubular, tube-shaped, or with HDPE plate sides

Due to continuous improvement of technical solutions by Freekids, the presented drawings, including colours and dimensions, may differ slightly from currently manufactured devices.



FreeKids s.c. A. Gąsiorek, Z. Andruszewski  
Trzęsowice 32, 55-106 Zawonia

tel./fax: +48 71 312 72 50, +48 724 654 898  
e-mail: [biuro@freekids.pl](mailto:biuro@freekids.pl) [www.freekids.pl](http://www.freekids.pl)

rev. 001/2026

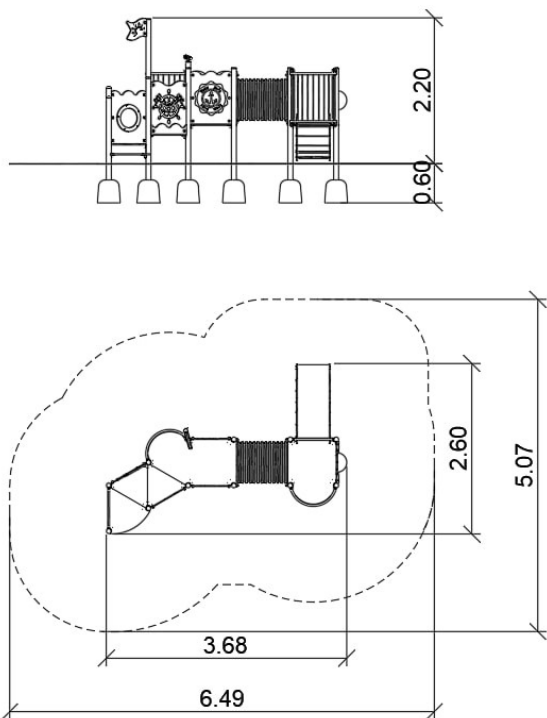
# Ahoy 13

0130005

METAL - AHOY

## DEVICE DATA:

Device dimension	3,68 x 2,60 x 2,20
Zone dimension	5,07 x 6,49 m
Fall height	0,60 m
Safety zone area	26,1 m <sup>2</sup>
User age	2-6
Number of users	19
Material	Metal
Low fall height	tak
Compliance with standards	PN-EN 1176



Due to continuous improvement of technical solutions by Freekids, the presented drawings, including colours and dimensions, may differ slightly from currently manufactured devices.



FreeKids s.c. A. Gąsiorek, Z. Andruszewski  
Trzęsowice 32, 55-106 Zawonia

tel./fax: +48 71 312 72 50, +48 724 654 898  
e-mail: [biuro@freekids.pl](mailto:biuro@freekids.pl) [www.freekids.pl](http://www.freekids.pl)

rev. 001/2026