

# Stojak na rowery

## Bend - moduł

0013010

**METAL - STOJAKI NA ROWERY**



### Material specification:

<b>Additional Elements</b> <b>Handrails</b>	galvanized black steel, powder-coated
<b>Platforms</b>	plywood or HPL Panels
<b>Ropes</b>	Steel-core ropes with polypropylene sheathing, connected via plastic or aluminum connectors.

Due to continuous improvement of technical solutions by Freekids, the presented drawings, including colours and dimensions, may differ slightly from currently manufactured devices.



FreeKids s.c. A. Gąsiorek, Z.Andruszewski  
Trzęsowice 32, 55-106 Zawonia

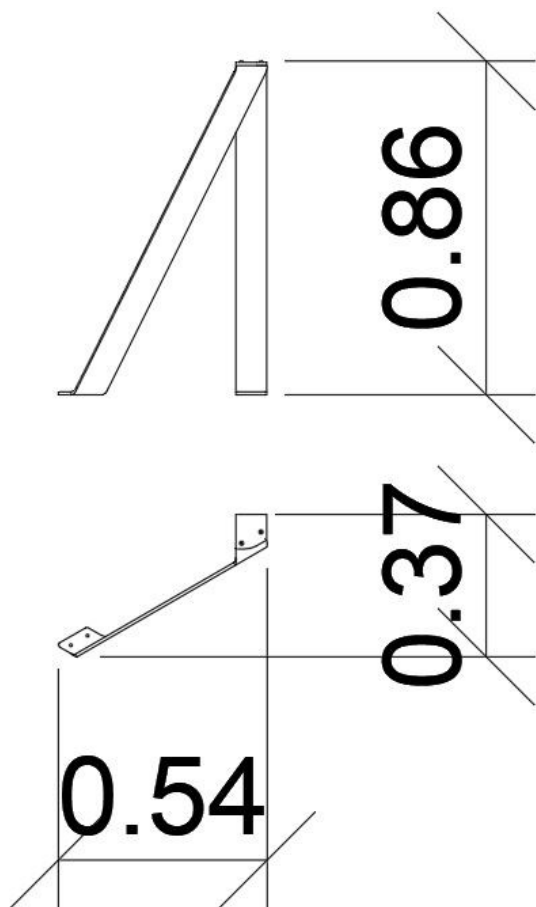
tel./fax: +48 71 312 72 50, +48 724 654 898  
e-mail: [biuro@freekids.pl](mailto:biuro@freekids.pl) [www.freekids.pl](http://www.freekids.pl)

rev. 001/2026

# Stojak na rowery Bend - moduł

0013010

**METAL - STOJAKI NA ROWERY**



## DEVICE DATA:

Device dimension	0,54 x 0,37 x 0,86 m
Zone dimension	nie dotyczy
Fall height	nie dotyczy m
Safety zone area	nie dotyczy m2
User age	nie dotyczy
Number of users	nie dotyczy
Material	Metal
Low fall height	nie dotyczy

Due to continuous improvement of technical solutions by Freekids, the presented drawings, including colours and dimensions, may differ slightly from currently manufactured devices.



FreeKids s.c. A. Gąsiorek, Z.Andruszewski  
Trzęsowice 32, 55-106 Zawonia

tel./fax: +48 71 312 72 50, +48 724 654 898  
e-mail: [biuro@freekids.pl](mailto:biuro@freekids.pl) [www.freekids.pl](http://www.freekids.pl)

rev. 001/2026