

Kosz na śmieci Bend - pojedynczy

0012006

METAL - KOSZE NA ŚMIECI



Material specification:

Additional Elements Handrails	galvanized black steel, powder-coated
Platforms	plywood or HPL Panels

Due to continuous improvement of technical solutions by Freekids, the presented drawings, including colours and dimensions, may differ slightly from currently manufactured devices.



FreeKids s.c. A. Gąsiorek, Z.Andruszewski
Trzęsowice 32, 55-106 Zawonia

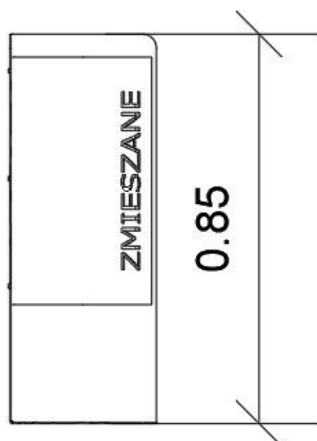
tel./fax: +48 71 312 72 50, +48 724 654 898
e-mail: biuro@freekids.pl www.freekids.pl

rev. 001/2026

Kosz na śmieci Bend - pojedynczy

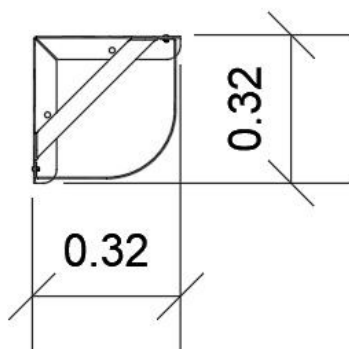
0012006

METAL - KOSZE NA ŚMIECI



DEVICE DATA:

Device dimension	0,32 x 0,32 x 0,85 m
Fall height	nie dotyczy m
Safety zone area	nie dotyczy m ²
User age	nie dotyczy
Number of users	nie dotyczy
Material	Metal
Low fall height	nie dotyczy



Due to continuous improvement of technical solutions by Freekids, the presented drawings, including colours and dimensions, may differ slightly from currently manufactured devices.