

Równoważnia podwójna

0270050

DREWNO - ROBIN WOOD



Material specification:

Construction Material	Made of natural black locust wood, resistant to weather conditions, without sharp edges.
Foundation	buried in the ground to a specified depth and concreted with at least B-20 class concrete or bolted to a concrete base
Other	Śruby wykonane ze stali nierdzewnej z poliamidowymi nakładkami. Kamienie wspinaczkowe z wytrzymałego tworzywa.

Due to continuous improvement of technical solutions by Freekids, the presented drawings, including colours and dimensions, may differ slightly from currently manufactured devices.



FreeKids s.c. A. Gąsiorek, Z.Andruszewski
Trzęsowice 32, 55-106 Zawonia

tel./fax: +48 71 312 72 50, +48 724 654 898
e-mail: biuro@freekids.pl www.freekids.pl

rev. 001/2026

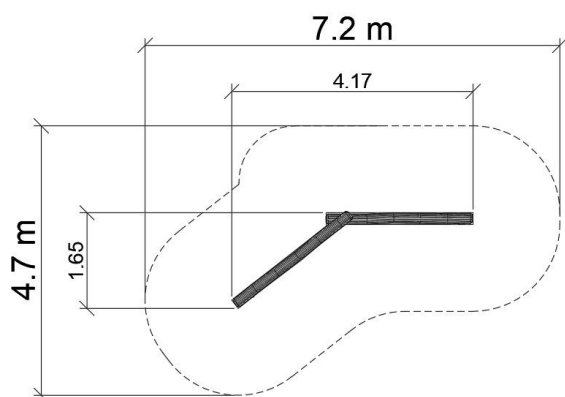
Równoważnia podwójna

0270050

DREWNO - ROBIN WOOD

DEVICE DATA:

Device dimension	1,65 x 4,17 x 0,50 m
Zone dimension	7,2 x 4,7 m
Fall height	0,5 m m
Safety zone area	23,0 m2 m2
User age	3-12
Number of users	4
Material	Drewno
Low fall height	tak
Compliance with standards	PN-EN 1176



Due to continuous improvement of technical solutions by Freekids, the presented drawings, including colours and dimensions, may differ slightly from currently manufactured devices.



FreeKids s.c. A. Gąsiorek, Z. Andruszewski
Trzęsowice 32, 55-106 Zawonia

tel./fax: +48 71 312 72 50, +48 724 654 898
e-mail: biuro@freekids.pl www.freekids.pl

rev. 001/2026