

Huśtawka wahadłowa podwójna robinia (2 x kubetek)

0020042

DREWNO - ROBIN WOOD



Material specification:

Construction Material	Made of natural black locust wood, resistant to weather conditions, without sharp edges.
Additional Elements Handrails	stainless steel
Foundation	buried in the ground to a specified depth and concreted with at least B-20 class concrete
Other	Śruby wykonane ze stali nierdzewnej z poliamidowymi nakładkami. Łańcuchy ze stali nierdzewnej. Bezpieczne i ergonomiczne siedziska. Drewno zastosowane w słupach konstrukcyjnych jest naturalne, nieimpregnowane.

Due to continuous improvement of technical solutions by Freekids, the presented drawings, including colours and dimensions, may differ slightly from currently manufactured devices.



FreeKids s.c. A. Gąsiorek, Z.Andruszewski
Trzęsowice 32, 55-106 Zawonia

tel./fax: +48 71 312 72 50, +48 724 654 898
e-mail: biuro@freekids.pl www.freekids.pl

rev. 001/2026

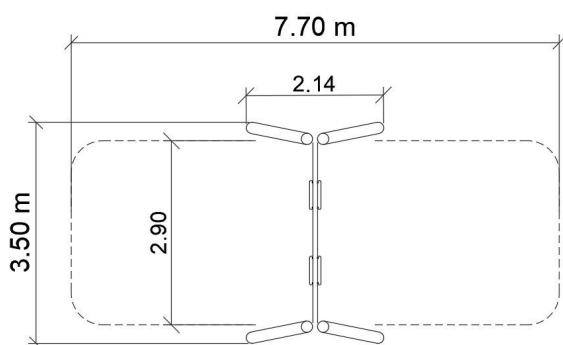
Huśtawka wahadłowa podwójna robinia (2 x kubetek)

0020042

DREWNO - ROBIN WOOD

DEVICE DATA:

Device dimension	2,14 x 2,90 x 2,35 m
Zone dimension	7,7 x 3,5 m
Fall height	1,4 m m
Safety zone area	22,1 m ² m ²
User age	3-12
Number of users	2
Material	Drewno
Low fall height	nie
Compliance with standards	PN-EN 1176



Due to continuous improvement of technical solutions by Freekids, the presented drawings, including colours and dimensions, may differ slightly from currently manufactured devices.



FreeKids s.c. A. Gąsiorek, Z.Andruszewski
Trzęsowice 32, 55-106 Zawonia

tel./fax: +48 71 312 72 50, +48 724 654 898
e-mail: biuro@freekids.pl www.freekids.pl

rev. 001/2026