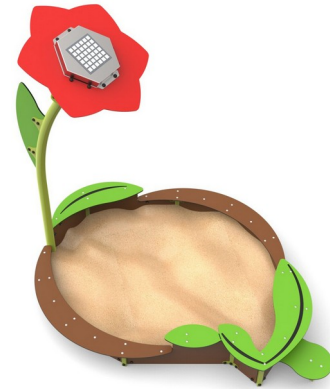


Flori Piaskownica

0050015

METAL - FLORI



Material specification:

Construction Material	galvanized steel coated with powder paint for durability and corrosion resistance or made of stainless steel
Foundation	buried in the ground to a specified depth and concreted with at least B-20 class concrete or bolted to a concrete base
Boards	HDPE sheets with milled drawings or Solid polycarbonate sheets, clear or tinted

Due to continuous improvement of technical solutions by Freekids, the presented drawings, including colours and dimensions, may differ slightly from currently manufactured devices.



FreeKids s.c. A. Gąsiorek, Z.Andruszewski
Trzęsowice 32, 55-106 Zawonia

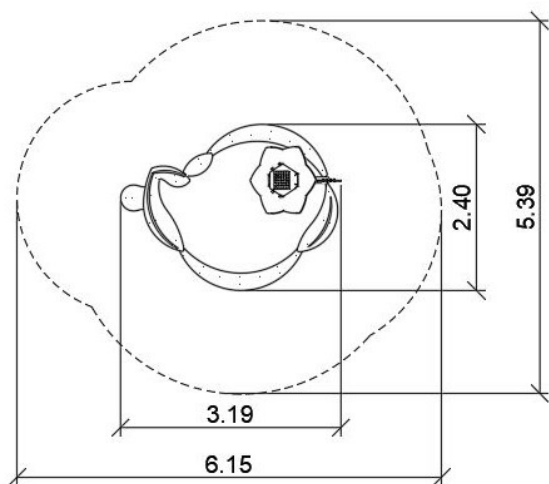
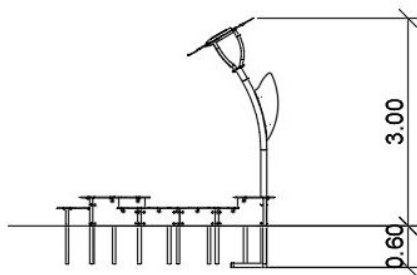
tel./fax: +48 71 312 72 50, +48 724 654 898
e-mail: biuro@freekids.pl www.freekids.pl

rev. 001/2026

Flori Piaskownica

0050015

METAL - FLORI



DEVICE DATA:

Device dimension	2,40 x 3,19 x 3,10 m
Zone dimension	6,15 x 5,39 m
Fall height	0,42 m
Safety zone area	24,5 m ²
User age	3-6
Number of users	14
Material	Metal
Low fall height	tak
Compliance with standards	PN-EN 1176

Piaskownica o nieregularnym kształcie. W jej skład wchodzi kwiat z panelami świetlnymi ładowanymi fotowoltaiką i załączającymi się po zmroku, zamkniętymi w metalowej obudowie i płatkami z poliwęglanu z czerwonym zadrukiem UV osadzonym na łodydze z łagodnie walcowanej rury oraz siedziska w kształcie liści.

Due to continuous improvement of technical solutions by Freekids, the presented drawings, including colours and dimensions, may differ slightly from currently manufactured devices.



FreeKids s.c. A. Gąsiorek, Z.Andruszewski
Trzęsowice 32, 55-106 Zawonia

tel./fax: +48 71 312 72 50, +48 724 654 898
e-mail: biuro@freekids.pl www.freekids.pl

rev. 001/2026