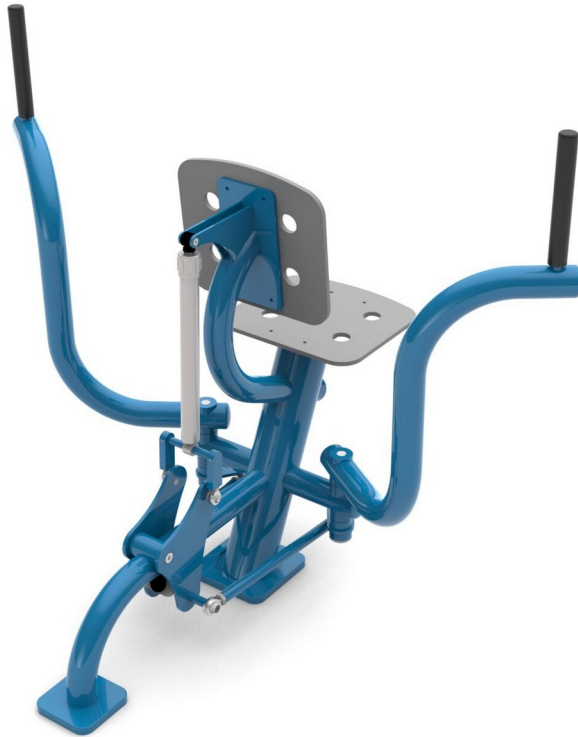


HydroFit Motylek

0073004

METAL - HYDROFIT



Material specification:

Construction Material	galvanized steel coated with powder paint for durability and corrosion resistance or made of stainless steel
Foundation	buried in the ground to a specified depth and concreted with at least B-20 class concrete or bolted to a concrete base
Boards	HDPE sheets with milled drawings
Other	Siłowniki hydrauliczne z pokrętłem do regulacji oporu. Śruby wykonane ze stali nierdzewnej. Wygodne uchwyty z poliuretanową pianką integralną. Łożyska toczne kulkowe zwykłe.

Due to continuous improvement of technical solutions by Freekids, the presented drawings, including colours and dimensions, may differ slightly from currently manufactured devices.



FreeKids s.c. A. Gąsiorek, Z.Andruszewski
Trzęsowice 32, 55-106 Zawonia

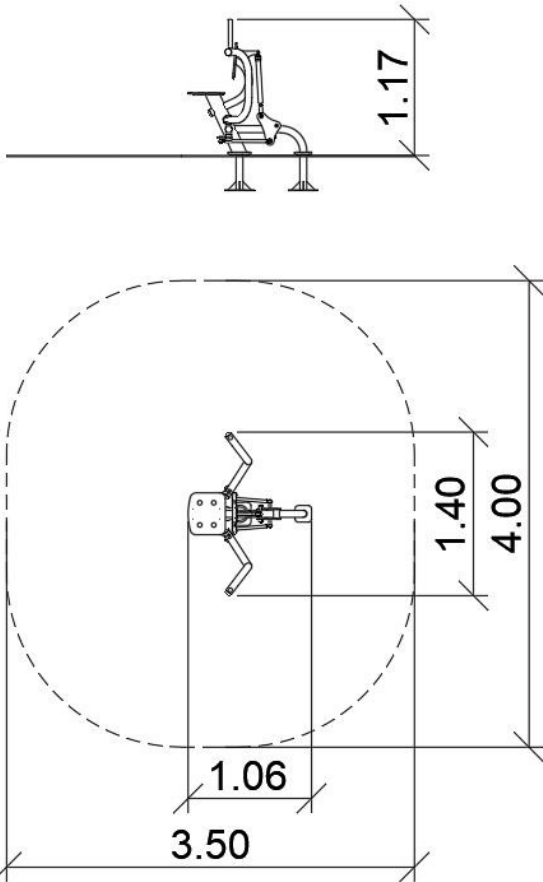
tel./fax: +48 71 312 72 50, +48 724 654 898
e-mail: biuro@freekids.pl www.freekids.pl

rev. 001/2026

HydroFit Motylek

0073004

METAL - HYDROFIT



DEVICE DATA:

Device dimension	1,06 x 1,40 x 1,17 m
Zone dimension	3,5 x 4,0 m
Fall height	0,54 m
Safety zone area	12,1 m ²
User age	14+
Number of users	140 kg
Material	Metal
Low fall height	tak
Compliance with standards	PN-EN 16630

Due to continuous improvement of technical solutions by Freekids, the presented drawings, including colours and dimensions, may differ slightly from currently manufactured devices.



FreeKids s.c. A. Gąsiorek, Z.Andruszewski
Trzęsowice 32, 55-106 Zawonia

tel./fax: +48 71 312 72 50, +48 724 654 898
e-mail: biuro@freekids.pl www.freekids.pl

rev. 001/2026