

# HydroFit Triceps

0073007

METAL - HYDROFIT



## Material specification:

<b>Construction Material</b>	galvanized steel coated with powder paint for durability and corrosion resistance or made of stainless steel
<b>Foundation</b>	buried in the ground to a specified depth and concreted with at least B-20 class concrete or bolted to a concrete base
<b>Boards</b>	HDPE sheets with milled drawings
<b>Other</b>	Siłowniki hydrauliczne z pokrętkiem do regulacji oporu. Śruby wykonane ze stali nierdzewnej. Wygodne uchwyty z poliuretanową pianką integralną. Łożyska toczne kulkowe zwykłe.

Due to continuous improvement of technical solutions by Freekids, the presented drawings, including colours and dimensions, may differ slightly from currently manufactured devices.



FreeKids s.c. A. Gąsiorek, Z.Andruszewski  
Trzęsowice 32, 55-106 Zawonia

tel./fax: +48 71 312 72 50, +48 724 654 898  
e-mail: [biuro@freekids.pl](mailto:biuro@freekids.pl) [www.freekids.pl](http://www.freekids.pl)

rev. 001/2026

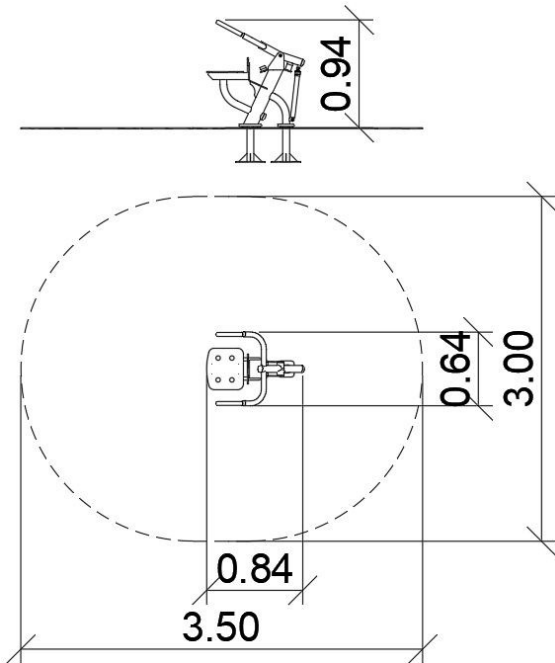
# HydroFit Triceps

0073007

**METAL - HYDROFIT**

## DEVICE DATA:

Device dimension	0,84 x 0,64 x 0,94 m
Zone dimension	3,5 x 3,0 m
Fall height	0,48 m
Safety zone area	8,6 m <sup>2</sup>
User age	14+
Number of users	140 kg
Material	Metal
Low fall height	tak
Compliance with standards	PN-EN 16630



Due to continuous improvement of technical solutions by Freekids, the presented drawings, including colours and dimensions, may differ slightly from currently manufactured devices.



FreeKids s.c. A. Gąsiorek, Z.Andruszewski  
Trzęsowice 32, 55-106 Zawonia

tel./fax: +48 71 312 72 50, +48 724 654 898  
e-mail: [biuro@freekids.pl](mailto:biuro@freekids.pl) [www.freekids.pl](http://www.freekids.pl)

rev. 001/2026