



Inclusive

# Karuzela integracyjna

0400003

METAL - CAROUSELS



## Material specification:

<b>Construction Material</b>	galvanized steel coated with powder paint for durability and corrosion resistance
<b>Platforms</b>	HPL Panels
<b>Foundation</b>	bolted to a concrete base
<b>Sheets</b>	HDPE sheets with milled drawings

Due to continuous improvement of technical solutions by Freekids, the presented drawings, including colours and dimensions, may differ slightly from currently manufactured devices.



FreeKids s.c. A. Gąsiorek, Z.Andruszewski  
Trzęsowice 32, 55-106 Zawonia

tel./fax: +48 71 312 72 50, +48 724 654 898  
e-mail: [biuro@freekids.pl](mailto:biuro@freekids.pl) [www.freekids.pl](http://www.freekids.pl)

rev. 001/2026

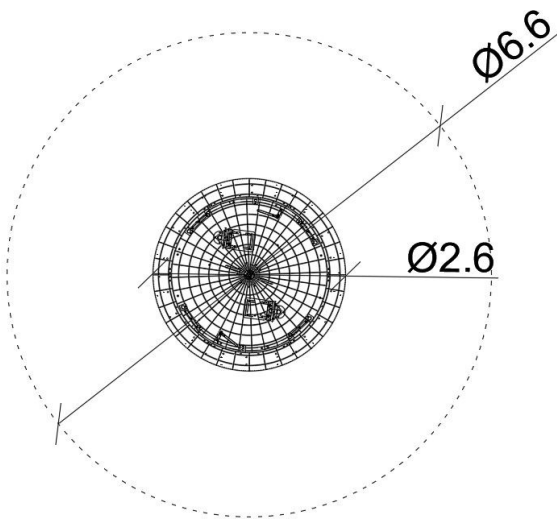
# Karuzela integracyjjna

0400003

**METAL - CAROUSELS**

## DEVICE DATA:

Device dimension	ø 2,6 m
Zone dimension	ø 6,69 m
Fall height	nie dotyczy m
Safety zone area	34,63 m <sup>2</sup>
User age	∞
Number of users	2
Material	Metal
Low fall height	nie dotyczy
Compliance with standards	PN-EN 1176



Due to continuous improvement of technical solutions by Freekids, the presented drawings, including colours and dimensions, may differ slightly from currently manufactured devices.



FreeKids s.c. A. Gąsiorek, Z.Andruszewski  
Trzęsowice 32, 55-106 Zawonia

tel./fax: +48 71 312 72 50, +48 724 654 898  
e-mail: [biuro@freekids.pl](mailto:biuro@freekids.pl) [www.freekids.pl](http://www.freekids.pl)

rev. 001/2026