

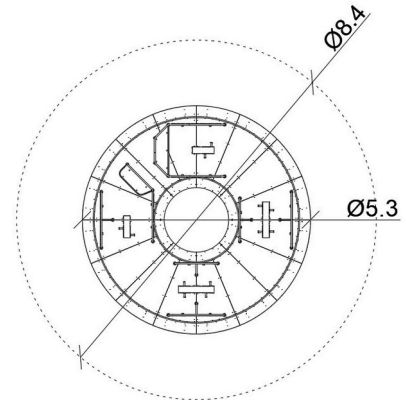


Inclusive

Kolejka integracyjna

0400005

METAL - CAROUSELS



Material specification:

Construction Material	Made of natural black locust wood, resistant to weather conditions, without sharp edges. or made of impregnated larch wood
Platforms	plywood or HPL Panels
Foundation	bolted to a concrete base or buried in the ground to a specified depth
Slides	made of durable UV-resistant LDPE material

Due to continuous improvement of technical solutions by Freekids, the presented drawings, including colours and dimensions, may differ slightly from currently manufactured devices.



FreeKids s.c. A. Gąsiorek, Z.Andruszewski
Trzęsowice 32, 55-106 Zawonia

tel./fax: +48 71 312 72 50, +48 724 654 898
e-mail: biuro@freekids.pl www.freekids.pl

rev. 001/2026

Kolejka integracyjna

0400005

METAL - CAROUSELS

DEVICE DATA:



Device dimension	ø 5,3 m
Zone dimension	ø 8,40 m
Fall height	nie dotyczy m
Safety zone area	54,77 m ²
User age	∞
Number of users	20
Material	Metal
Low fall height	nie dotyczy
Compliance with standards	PN-EN 1176

Due to continuous improvement of technical solutions by Freekids, the presented drawings, including colours and dimensions, may differ slightly from currently manufactured devices.



FreeKids s.c. A. Gąsiorek, Z.Andruszewski
Trzęsowice 32, 55-106 Zawonia

tel./fax: +48 71 312 72 50, +48 724 654 898
e-mail: biuro@freekids.pl www.freekids.pl

rev. 001/2026