

Jura 2

0170011

METAL - JURA



Material specification:

Construction Material	made of stainless steel
Additional Elements Handrails	stainless steel
Platforms	HPL Panels
Foundation	buried in the ground to a specified depth and concreted with at least B-20 class concrete or bolted to a concrete base
Sheets	HDPE sheets with milled drawings or Durable HPL sheet
Slides	made of stainless steel, tubular, tube-shaped, or with HDPE plate sides
Ropes	Steel-core ropes with polypropylene sheathing, connected via plastic or aluminum connectors.
UV Prints	Multilayer, durable UV prints, resistant to weather conditions
Other	Łączenia elementów konstrukcyjnych w formie aluminiowych obejm. Śruby wykonane ze stali nierdzewnej z poliamidowymi nakładkami. Bulaje wykonane z poliwęglanu.

Due to continuous improvement of technical solutions by Freekids, the presented drawings, including colours and dimensions, may differ slightly from currently manufactured devices.



FreeKids s.c. A. Gąsiorek, Z.Andruszewski
Trzęsowice 32, 55-106 Zawonia

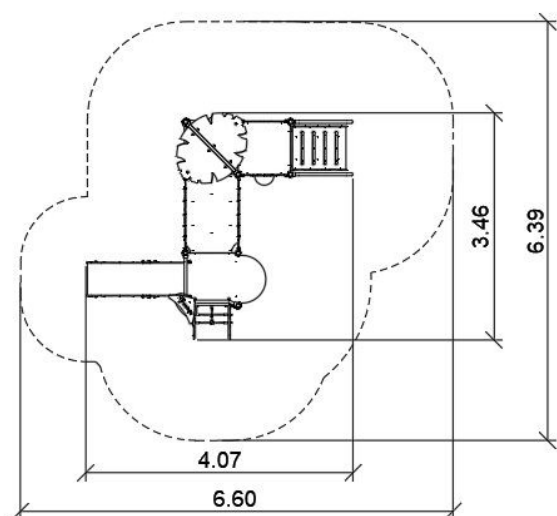
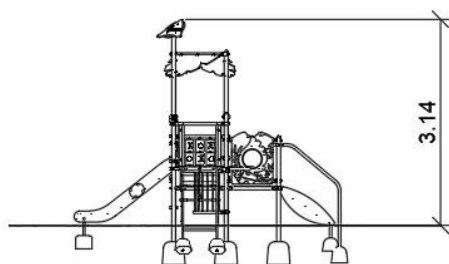
tel./fax: +48 71 312 72 50, +48 724 654 898
e-mail: biuro@freekids.pl www.freekids.pl

rev. 001/2026

Jura 2

0170011

METAL - JURA



DEVICE DATA:

Device dimension	3,46 x 4,07 x 3,14 m
Zone dimension	6,39 x 6,60 m
Fall height	0,90 m
Safety zone area	31,13 m ²
User age	3-12
Number of users	13
Material	Metal
Low fall height	tak
Compliance with standards	PN-EN 1176

Due to continuous improvement of technical solutions by Freekids, the presented drawings, including colours and dimensions, may differ slightly from currently manufactured devices.