

# Latarnia morska

0280067

METAL - BY THE SEA



## Material specification:

<b>Construction Material</b>	galvanized steel coated with powder paint for durability and corrosion resistance or made of stainless steel
<b>Additional Elements Handrails</b>	galvanized black steel, powder-coated or stainless steel
<b>Platforms</b>	plywood or HPL Panels
<b>Foundation</b>	buried in the ground to a specified depth and concreted with at least B-20 class concrete or bolted to a concrete base
<b>Sheets</b>	HDPE sheets with milled drawings
<b>Slides</b>	made of stainless steel, tubular, tube-shaped, or with HDPE plate sides or made of durable UV-resistant LDPE material

Due to continuous improvement of technical solutions by Freekids, the presented drawings, including colours and dimensions, may differ slightly from currently manufactured devices.



FreeKids s.c. A. Gąsiorek, Z.Andruszewski  
Trzęsowice 32, 55-106 Zawonia

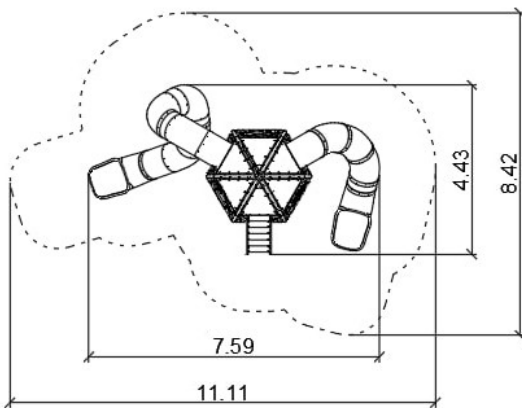
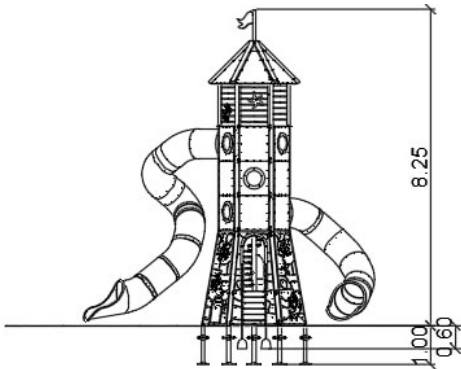
tel./fax: +48 71 312 72 50, +48 724 654 898  
e-mail: [biuro@freekids.pl](mailto:biuro@freekids.pl) [www.freekids.pl](http://www.freekids.pl)

rev. 001/2026

# Latarnia morska

0280067

METAL - BY THE SEA



## DEVICE DATA:

Device dimension	7,59 x 4,43 x 8,25 m
Zone dimension	11,11 x 8,42 m
Fall height	1,50 m
Safety zone area	59,90 m <sup>2</sup>
User age	3-12
Number of users	34
Material	Metal
Low fall height	nie
Compliance with standards	PN-EN 1176

Due to continuous improvement of technical solutions by Freekids, the presented drawings, including colours and dimensions, may differ slightly from currently manufactured devices.



FreeKids s.c. A. Gąsiorek, Z. Andruszewski  
Trzęsowice 32, 55-106 Zawonia

tel./fax: +48 71 312 72 50, +48 724 654 898  
e-mail: [biuro@freekids.pl](mailto:biuro@freekids.pl) [www.freekids.pl](http://www.freekids.pl)

rev. 001/2026