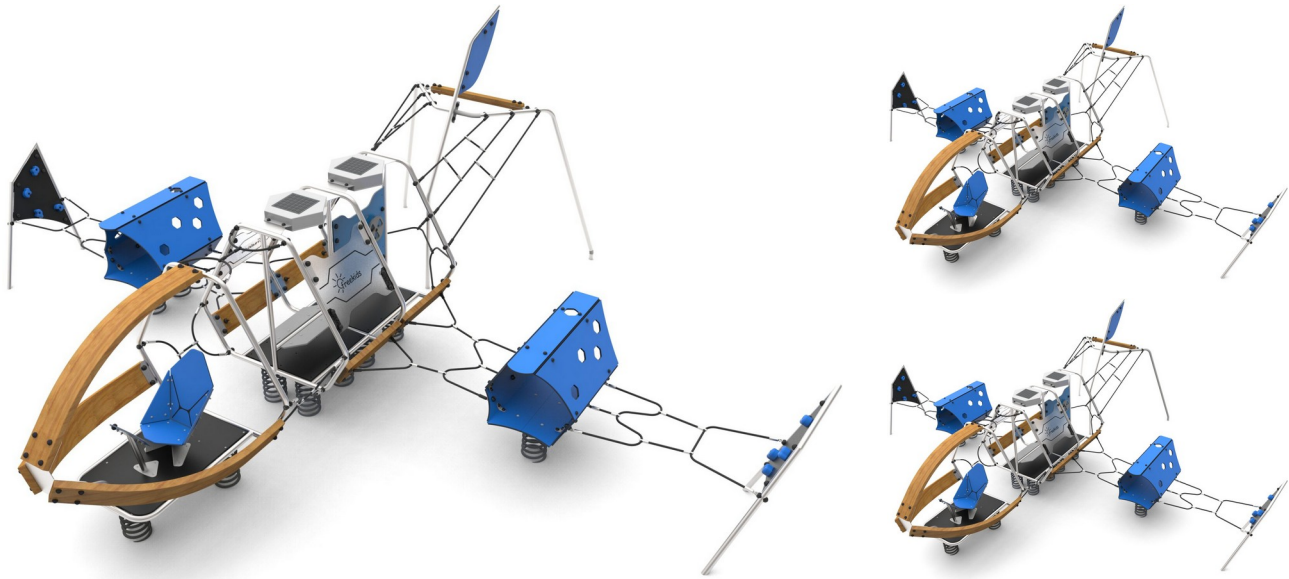


Lumi Lot

0230002

METAL - LUMI



Material specification:

Construction Material	made of stainless steel
Additional Elements Handrails	stainless steel
Platforms	plywood or HPL Panels
Foundation	buried in the ground to a specified depth and concreted with at least B-20 class concrete or bolted to a concrete base
Sheets	HDPE sheets with milled drawings or Durable HPL sheet or Solid polycarbonate sheets, clear or tinted
Ropes	Steel-core ropes with polypropylene sheathing, connected via plastic or aluminum connectors.
UV Prints	Multilayer, durable UV prints, resistant to weather conditions

Due to continuous improvement of technical solutions by Freekids, the presented drawings, including colours and dimensions, may differ slightly from currently manufactured devices.



FreeKids s.c. A. Gąsiorek, Z.Andruszewski
Trzęsowice 32, 55-106 Zawonia

tel./fax: +48 71 312 72 50, +48 724 654 898
e-mail: biuro@freekids.pl www.freekids.pl

rev. 001/2026

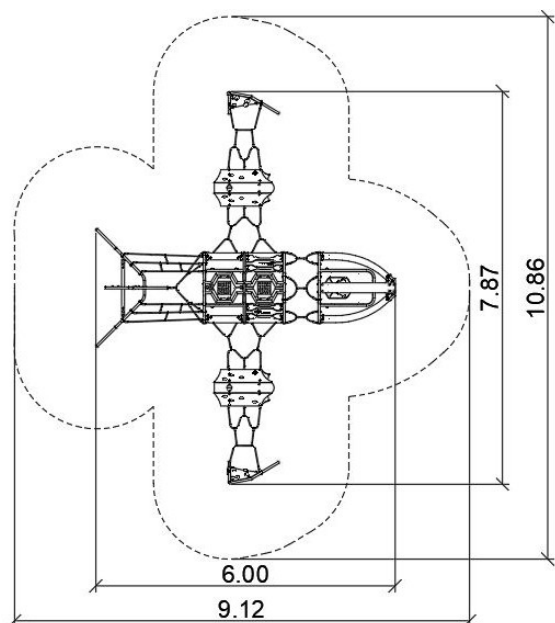
Lumi Lot

0230002

METAL - LUMI

DEVICE DATA:

Device dimension	1,88 x 3,10 x 2,20 m
Zone dimension	4,70 x 6,10 m
Fall height	1,10 m
Safety zone area	61,90 m ²
User age	3-12
Number of users	30
Material	Metal
Low fall height	nie
Compliance with standards	PN-EN 1176



Due to continuous improvement of technical solutions by Freekids, the presented drawings, including colours and dimensions, may differ slightly from currently manufactured devices.



FreeKids s.c. A. Gąsiorek, Z.Andruszewski
Trzęsowice 32, 55-106 Zawonia

tel./fax: +48 71 312 72 50, +48 724 654 898
e-mail: biuro@freekids.pl www.freekids.pl

rev. 001/2026