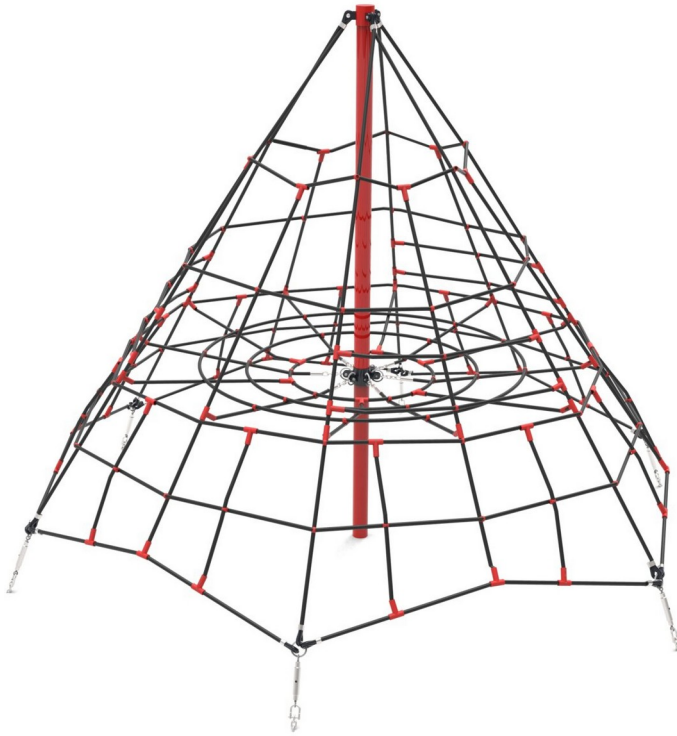


Piramida średnia

0080002

METAL - SPIDER



Material specification:

Construction Material	galvanized steel coated with powder paint for durability and corrosion resistance
Additional Elements Handrails	galvanized black steel, powder-coated
Foundation	buried in the ground to a specified depth and concreted with at least B-20 class concrete
Ropes	Steel-core ropes with polypropylene sheathing, connected via plastic or aluminum connectors.
Other	Śruby wykonane ze stali nierdzewnej z poliamidowymi nakładkami. Słupy konstrukcyjne zakończone półsferycznymi zaślepkami gumowymi.

Due to continuous improvement of technical solutions by Freekids, the presented drawings, including colours and dimensions, may differ slightly from currently manufactured devices.



FreeKids s.c. A. Gąsiorek, Z.Andruszewski
Trzęsowice 32, 55-106 Zawonia

tel./fax: +48 71 312 72 50, +48 724 654 898
e-mail: biuro@freekids.pl www.freekids.pl

rev. 001/2026

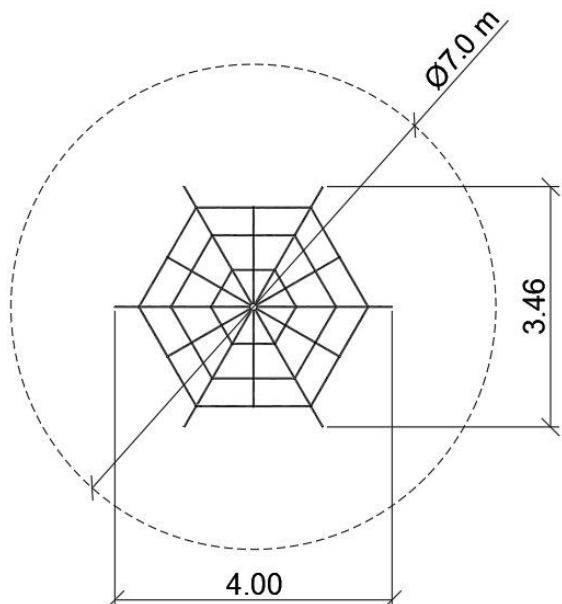
Piramida średnia

0080002

METAL - SPIDER

DEVICE DATA:

Device dimension	4,00 x 3,46 x 3,00 m
Zone dimension	ø 7,00 m
Fall height	1,00 m
Safety zone area	38,50 m ²
User age	4-12
Number of users	15
Material	Metal
Low fall height	tak
Compliance with standards	PN-EN 1176



Piramida linowa z jedną siatką poziomą ograniczającą wysokość upadku.

Due to continuous improvement of technical solutions by Freekids, the presented drawings, including colours and dimensions, may differ slightly from currently manufactured devices.