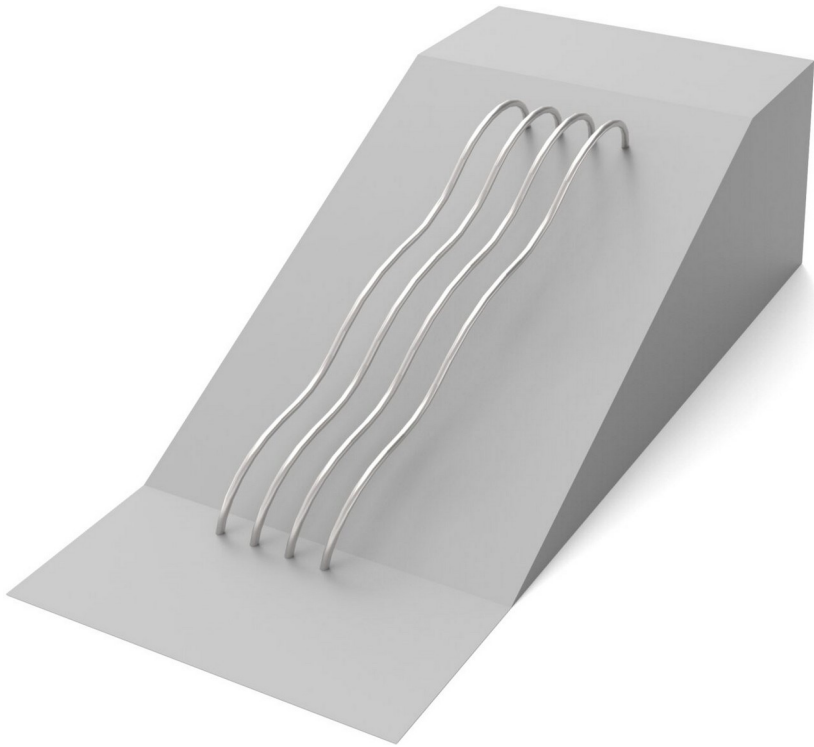


Niagara Falls

0280112

METAL - NA SKARPE



Material specification:

Construction Material	made of stainless steel
Foundation	buried in the ground to a specified depth and concreted with at least B-20 class concrete or bolted to a concrete base
Slides	made of stainless steel, tubular, tube-shaped, or with HDPE plate sides

Due to continuous improvement of technical solutions by Freekids, the presented drawings, including colours and dimensions, may differ slightly from currently manufactured devices.



FreeKids s.c. A. Gąsiorek, Z.Andruszewski
Trzęsowice 32, 55-106 Zawonia

tel./fax: +48 71 312 72 50, +48 724 654 898
e-mail: biuro@freekids.pl www.freekids.pl

rev. 001/2026

Niagara Falls

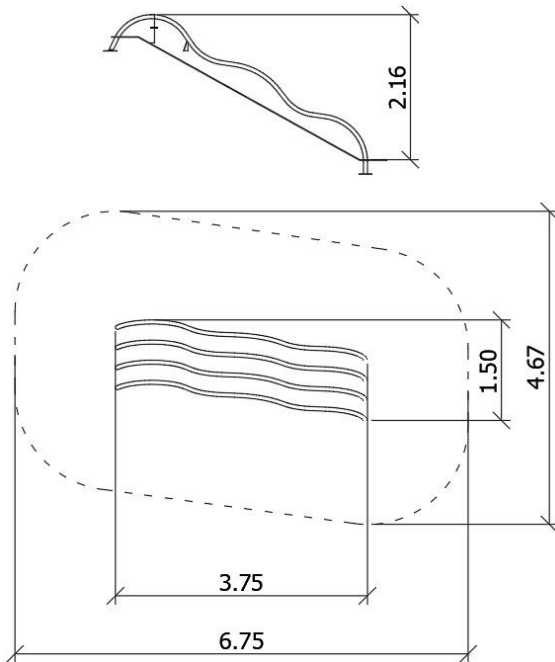
0280112

METAL - NA SKARPE

DEVICE DATA:

Device dimension	3,75 x 1,50 x 2,16 m
Zone dimension	6,75 x 4,67 m
Fall height	0,42 m
Safety zone area	26,10 m ²
User age	3-12
Number of users	1
Material	Metal
Low fall height	tak
Compliance with standards	PN-EN 1176

Urządzenie z rurek stalowych, służące do zjeżdżalni lub wspinania się.



Due to continuous improvement of technical solutions by Freekids, the presented drawings, including colours and dimensions, may differ slightly from currently manufactured devices.