

Ptero

0280065

METAL - JURA



Material specification:

Construction Material	made of stainless steel
Additional Elements Handrails	stainless steel
Foundation	buried in the ground to a specified depth and concreted with at least B-20 class concrete or bolted to a concrete base
Sheets	HDPE sheets with milled drawings
Slides	made of stainless steel, tubular, tube-shaped, or with HDPE plate sides
Ropes	Steel-core ropes with polypropylene sheathing, connected via plastic or aluminium connectors.
Other	Structural component connections in the form of aluminium clamps. Screws made of stainless steel with polyamide caps. Climbing stones made of durable plastic. Louvers made of polycarbonate. Double-walled tube tunnel made of polypropylene. Additional dinosaur structure elements made of decorative bent laminated wood.

Due to continuous improvement of technical solutions by Freekids, the presented drawings, including colours and dimensions, may differ slightly from currently manufactured devices.



FreeKids s.c. A. Gąsiorek, Z.Andruszewski
Trzęsowice 32, 55-106 Zawonia

tel./fax: +48 71 312 72 50, +48 724 654 898
e-mail: biuro@freekids.pl www.freekids.pl

rev. 001/2025

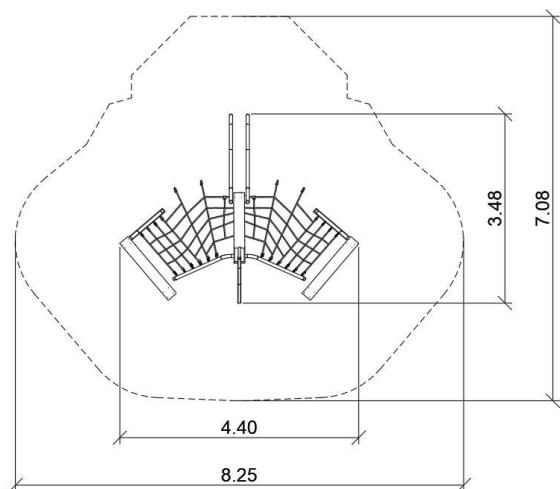
Ptero

0280065

METAL - JURA

DEVICE DATA:

Device dimension	3.48 x 4.40 x 2.61 m
Zone dimension	7.08 x 8.25 m
Fall height	1,90 m
Safety zone area	41,4 m ²
User age	3-12
Number of users	12
Material	Metal
Low fall height	Not
Compliance with standards	EN 1176



A device in the form of a pterosaur made of round tubes and bentwood beams consisting of an irregularly curved rope net and two bentwood tube slides.

Due to continuous improvement of technical solutions by Freekids, the presented drawings, including colours and dimensions, may differ slightly from currently manufactured devices.