

Robin Wood 5

0270005

DREWNO - ROBIN WOOD



Material specification:

Construction Material	Made of natural black locust wood, resistant to weather conditions, without sharp edges.
Additional Elements Handrails	stainless steel
Foundation	buried in the ground to a specified depth and concreted with at least B-20 class concrete
Slides	made of stainless steel, tubular, tube-shaped, or with HDPE plate sides
Ropes	Steel-core ropes with polypropylene sheathing, connected via plastic or aluminum connectors.
Other	Podesty wykonane z desek robiniowych. Śruby wykonane ze stali nierdzewnej z poliamidowymi nakładkami. Drewno zastosowane w słupach konstrukcyjnych jest naturalne, nieimpregnowane.

Due to continuous improvement of technical solutions by Freekids, the presented drawings, including colours and dimensions, may differ slightly from currently manufactured devices.



FreeKids s.c. A. Gąsiorek, Z.Andruszewski
Trzęsowice 32, 55-106 Zawonia

tel./fax: +48 71 312 72 50, +48 724 654 898
e-mail: biuro@freekids.pl www.freekids.pl

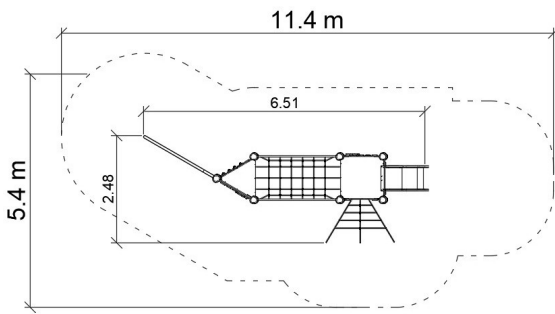
rev. 001/2026

Robin Wood 5

0270005

DREWNO - ROBIN WOOD

DEVICE DATA:



Device dimension	2,48 x 6,51 x 2,30 m
Zone dimension	11,4 x 5,4 m
Fall height	2,1 m m
Safety zone area	47,0 m2 m2
User age	3-12
Number of users	10
Material	Drewno
Low fall height	nie
Compliance with standards	PN-EN 1176

Due to continuous improvement of technical solutions by Freekids, the presented drawings, including colours and dimensions, may differ slightly from currently manufactured devices.



FreeKids s.c. A. Gąsiorek, Z.Andruszewski
Trzęsowice 32, 55-106 Zawonia

tel./fax: +48 71 312 72 50, +48 724 654 898
e-mail: biuro@freekids.pl www.freekids.pl

rev. 001/2026