

# Bujak mysz robinia

0030043

DREWNO - ROBIN WOOD



## Material specification:

<b>Construction Material</b>	Made of natural black locust wood, resistant to weather conditions, without sharp edges.
<b>Additional Elements Handrails</b>	stainless steel
<b>Foundation</b>	buried in the ground to a specified depth and concreted with at least B-20 class concrete
<b>Boards</b>	HDPE sheets with milled drawings
<b>Other</b>	Sprężyny stalowe i malowane proszkowo. Siedzisko wykonane z płyty HPL. Śruby wykonane ze stali nierdzewnej z poliamidowymi nakładkami. Uchwyty i podnóżki wykonane z tworzywa sztucznego. Drewno zastosowane w słupach konstrukcyjnych jest naturalne, nieimpregnowane.

Due to continuous improvement of technical solutions by Freekids, the presented drawings, including colours and dimensions, may differ slightly from currently manufactured devices.



FreeKids s.c. A. Gąsiorek, Z.Andruszewski  
Trzęsowice 32, 55-106 Zawonia

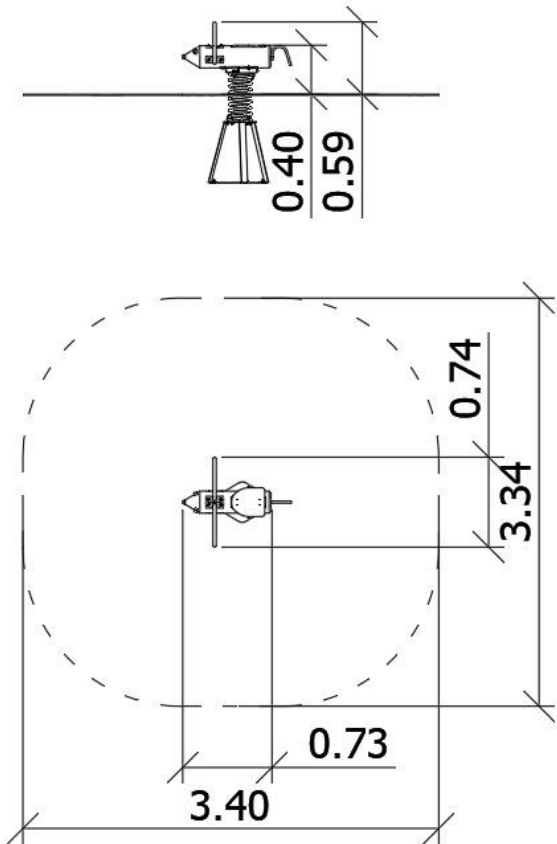
tel./fax: +48 71 312 72 50, +48 724 654 898  
e-mail: [biuro@freekids.pl](mailto:biuro@freekids.pl) [www.freekids.pl](http://www.freekids.pl)

rev. 001/2026

# Bujak mysz robinia

0030043

**DREWNO - ROBIN WOOD**



## DEVICE DATA:

Device dimension	0,73 x 0,74 x 0,59 m
Zone dimension	3,40 x 3,34 m
Fall height	0,4 m m
Safety zone area	9,8 m <sup>2</sup>
User age	2-6
Number of users	1
Material	Drewno
Low fall height	tak
Compliance with standards	PN-EN 1176

Due to continuous improvement of technical solutions by Freekids, the presented drawings, including colours and dimensions, may differ slightly from currently manufactured devices.



FreeKids s.c. A. Gąsiorek, Z.Andruszewski  
Trzęsowice 32, 55-106 Zawonia

tel./fax: +48 71 312 72 50, +48 724 654 898  
e-mail: [biuro@freekids.pl](mailto:biuro@freekids.pl) [www.freekids.pl](http://www.freekids.pl)

rev. 001/2026