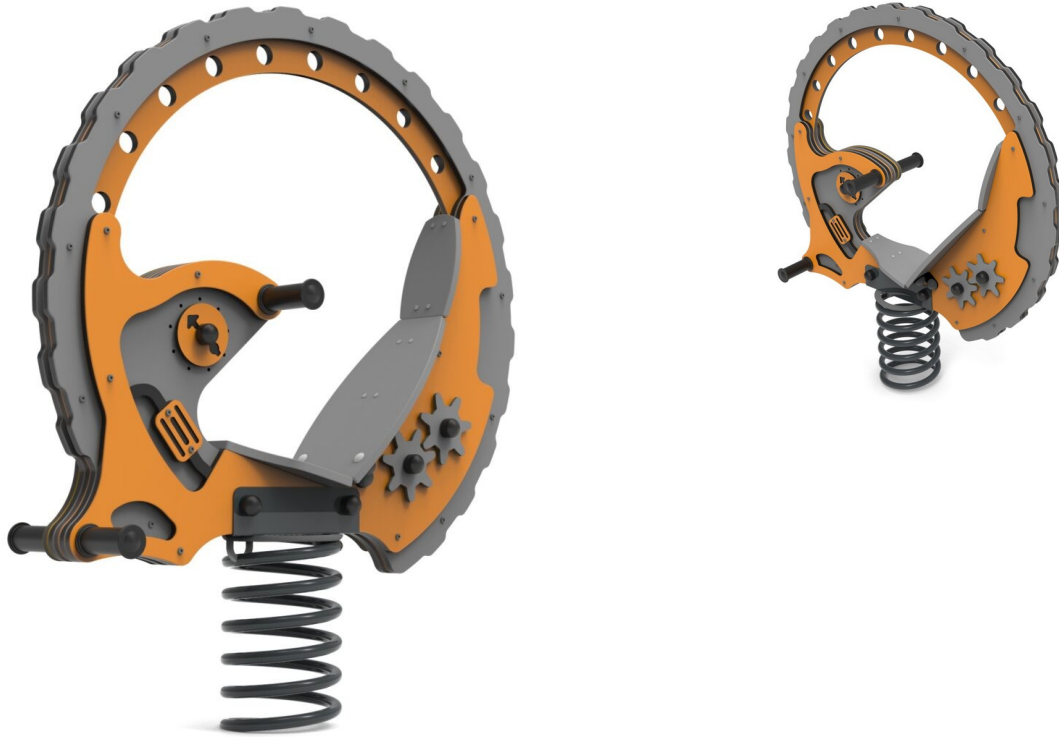


# Bujak monocykl

0030030

METAL - BUJAKI I SPRĘŻYNOWCE



## Material specification:

<b>Construction Material</b>	galvanized steel coated with powder paint for durability and corrosion resistance or made of stainless steel
<b>Foundation</b>	buried in the ground to a specified depth and concreted with at least B-20 class concrete or bolted to a concrete base
<b>Boards</b>	HDPE sheets with milled drawings or Durable HPL sheet
<b>Other</b>	Sprężyny stalowe i malowane proszkowo. Śruby wykonane ze stali nierdzewnej z poliamidowymi nakładkami. Uchwyty i podnóżki wykonane z tworzywa sztucznego.

Due to continuous improvement of technical solutions by Freekids, the presented drawings, including colours and dimensions, may differ slightly from currently manufactured devices.



FreeKids s.c. A. Gąsiorek, Z.Andruszewski  
Trzęsowice 32, 55-106 Zawonia

tel./fax: +48 71 312 72 50, +48 724 654 898  
e-mail: [biuro@freekids.pl](mailto:biuro@freekids.pl) [www.freekids.pl](http://www.freekids.pl)

rev. 001/2026

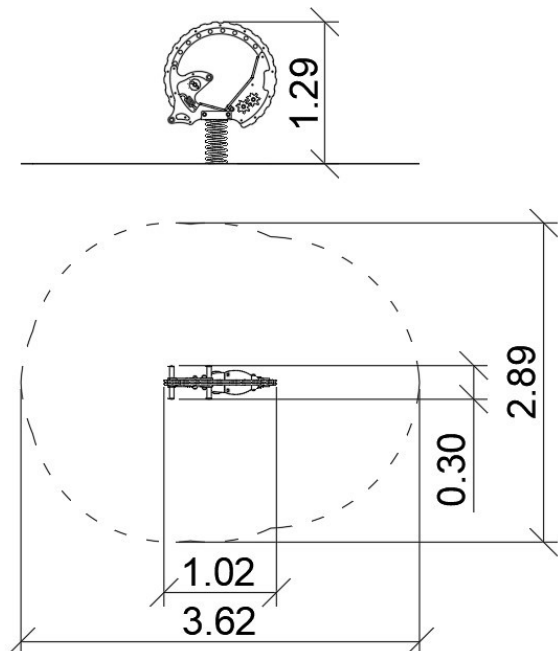
# Bujak monocykl

0030030

**METAL - BUJAKI I SPRĘŻYNOWCE**

## DEVICE DATA:

Device dimension	0,30 x 1,02 x 1,29 m
Zone dimension	2,89 x 3,62
Fall height	0,50 m
Safety zone area	8,35 m <sup>2</sup>
User age	2-6
Number of users	1
Material	Metal
Low fall height	tak
Compliance with standards	PN-EN 1176



Bujak w kształcie monocykla, z siedziskiem z HDPE otoczonym kołem z HDPE, 4 obrotowe koła zębate i 2 pokręta.

Due to continuous improvement of technical solutions by Freekids, the presented drawings, including colours and dimensions, may differ slightly from currently manufactured devices.



FreeKids s.c. A. Gąsiorek, Z.Andruszewski  
Trzęsowice 32, 55-106 Zawonia

tel./fax: +48 71 312 72 50, +48 724 654 898  
e-mail: [biuro@freekids.pl](mailto:biuro@freekids.pl) [www.freekids.pl](http://www.freekids.pl)

rev. 001/2026