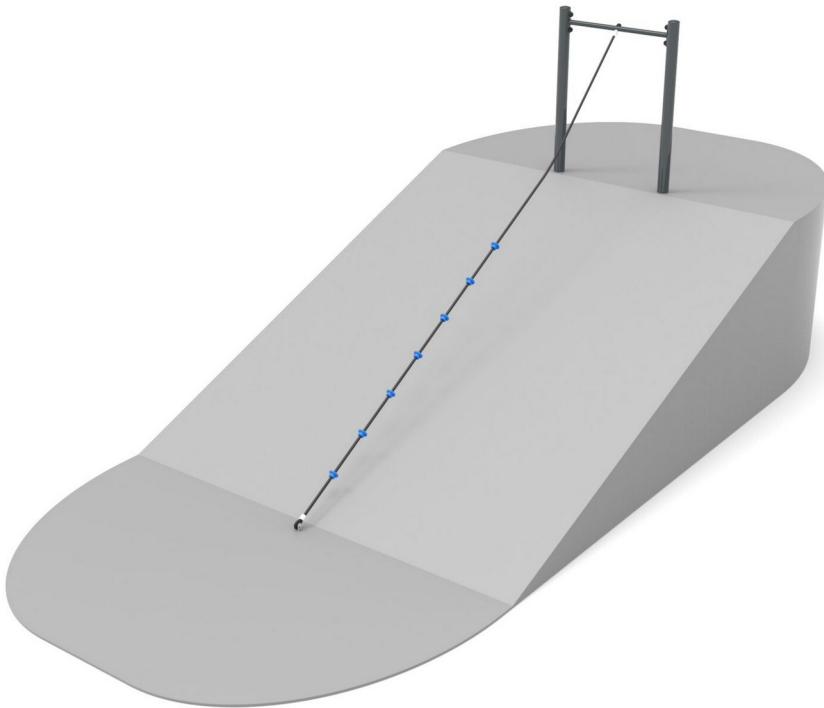


Lina na skarpę

0280118

METAL - UZUPEŁNIAJĄCE



Material specification:

Construction Material	galvanized steel coated with powder paint for durability and corrosion resistance or made of stainless steel
Additional Elements Handrails	galvanized black steel, powder-coated or stainless steel
Foundation	buried in the ground to a specified depth and concreted with at least B-20 class concrete or bolted to a concrete base
Ropes	Steel-core ropes with polypropylene sheathing, connected via plastic or aluminum connectors.
Other	Śruby wykonane ze stali nierdzewnej z poliamidowymi nakładkami. Słupy konstrukcyjne zakończone półsferycznymi zaślepkami gumowymi.

Due to continuous improvement of technical solutions by Freekids, the presented drawings, including colours and dimensions, may differ slightly from currently manufactured devices.



FreeKids s.c. A. Gąsiorek, Z.Andruszewski
Trzęsowice 32, 55-106 Zawonia

tel./fax: +48 71 312 72 50, +48 724 654 898
e-mail: biuro@freekids.pl www.freekids.pl

rev. 001/2026

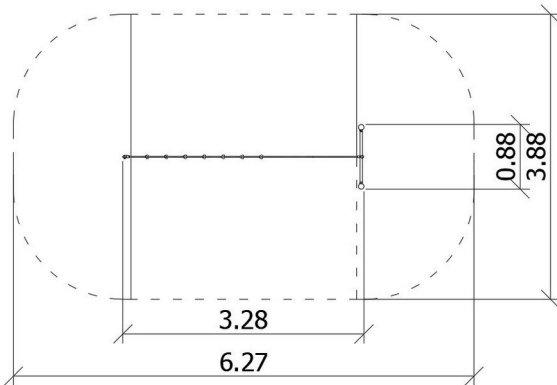
Lina na skarpe

0280118

METAL - UZUPEŁNIAJĄCE

DEVICE DATA:

Device dimension	3,28 x 0,88 x 2,30 m
Zone dimension	6,27 x 3,88 m
Fall height	nie dotyczy m
Safety zone area	22,40 m ²
User age	3-12
Number of users	1
Material	Metal
Low fall height	nie dotyczy
Compliance with standards	PN-EN 1176



Due to continuous improvement of technical solutions by Freekids, the presented drawings, including colours and dimensions, may differ slightly from currently manufactured devices.



FreeKids s.c. A. Gąsiorek, Z.Andruszewski
Trzęsowice 32, 55-106 Zawonia

tel./fax: +48 71 312 72 50, +48 724 654 898
e-mail: biuro@freekids.pl www.freekids.pl

rev. 001/2026