

Ścianka linowa pajęczyna

0113016

DREWNO - HOP! Wood



Material specification:

Construction Material	made of glued wood, surface-impregnated, square cross-section 95 x 95 mm
Additional Elements Handrails	galvanized black steel, powder-coated or stainless steel
Foundation	buried in the ground to a specified depth and concreted with at least B-20 class concrete or bolted to a concrete base
Ropes	Steel-core ropes with polypropylene sheathing, connected via plastic or aluminum connectors.
Other	Śruby wykonane ze stali nierdzewnej z poliamidowymi nakładkami.

Due to continuous improvement of technical solutions by Freekids, the presented drawings, including colours and dimensions, may differ slightly from currently manufactured devices.



FreeKids s.c. A. Gąsiorek, Z. Andruszewski
Trzęsowice 32, 55-106 Zawonia

tel./fax: +48 71 312 72 50, +48 724 654 898
e-mail: biuro@freekids.pl www.freekids.pl

rev. 001/2026

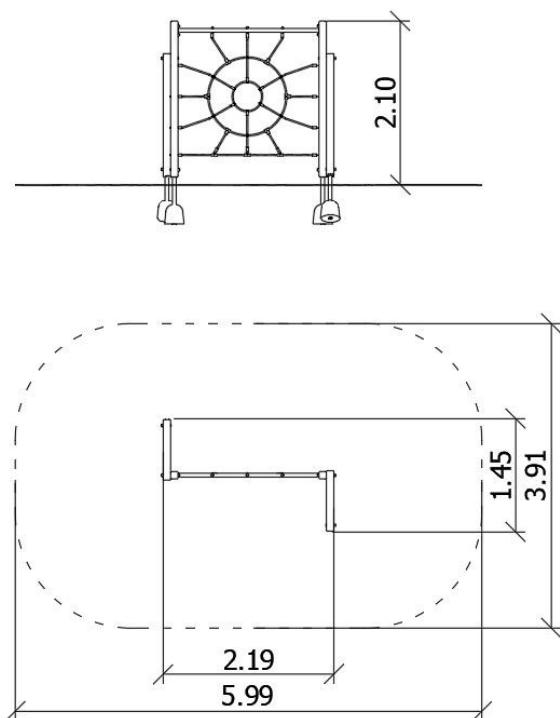
Ścianka linowa pajęczyna

0113016

DREWNO - HOP! Wood

DEVICE DATA:

Device dimension	2,19 x 1,45 x 2,10 m
Zone dimension	5,99 x 3,91 m
Fall height	2,00 m
Safety zone area	21,5 m ²
User age	3-12
Number of users	3
Material	Drewno
Low fall height	nie
Compliance with standards	PN-EN 1176



Due to continuous improvement of technical solutions by Freekids, the presented drawings, including colours and dimensions, may differ slightly from currently manufactured devices.