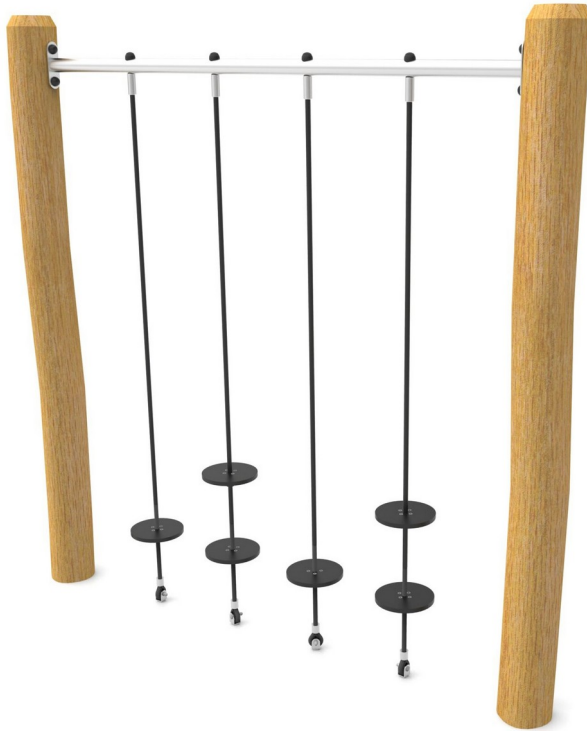


# Ścianka linowa z krążkami robinia

0270030

DREWNO - ROBIN WOOD



## Material specification:

<b>Construction Material</b>	Made of natural black locust wood, resistant to weather conditions, without sharp edges.
<b>Additional Elements Handrails</b>	stainless steel
<b>Foundation</b>	buried in the ground to a specified depth and concreted with at least B-20 class concrete
<b>Boards</b>	HDPE sheets with milled drawings
<b>Ropes</b>	Steel-core ropes with polypropylene sheathing, connected via plastic or aluminum connectors.
<b>Other</b>	Śruby wykonane ze stali nierdzewnej z poliamidowymi nakładkami. Drewno zastosowane w słupach konstrukcyjnych jest naturalne, nieimpregnowane.

Due to continuous improvement of technical solutions by Freekids, the presented drawings, including colours and dimensions, may differ slightly from currently manufactured devices.



FreeKids s.c. A. Gąsiorek, Z.Andruszewski  
Trzęsowice 32, 55-106 Zawonia

tel./fax: +48 71 312 72 50, +48 724 654 898  
e-mail: [biuro@freekids.pl](mailto:biuro@freekids.pl) [www.freekids.pl](http://www.freekids.pl)

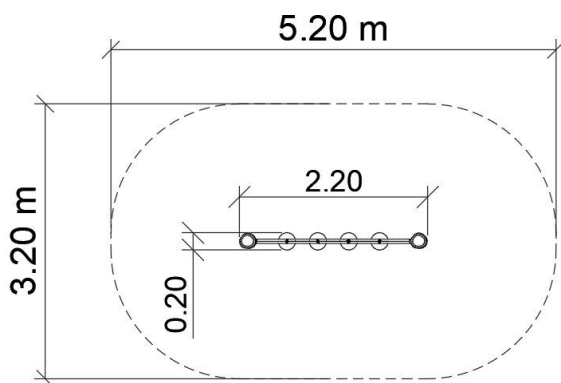
rev. 001/2026

# Ścianka linowa z krążkami robinia

0270030

**DREWNO - ROBIN WOOD**

## DEVICE DATA:



Device dimension	2,20 x 0,18 x 2,20 m
Zone dimension	5,2 x 3,2 m
Fall height	0,7 m m
Safety zone area	14,6 m2 m2
User age	3-12
Number of users	3
Material	Drewno
Low fall height	tak
Compliance with standards	PN-EN 1176

Due to continuous improvement of technical solutions by Freekids, the presented drawings, including colours and dimensions, may differ slightly from currently manufactured devices.



FreeKids s.c. A. Gąsiorek, Z.Andruszewski  
Trzęsowice 32, 55-106 Zawonia

tel./fax: +48 71 312 72 50, +48 724 654 898  
e-mail: [biuro@freekids.pl](mailto:biuro@freekids.pl) [www.freekids.pl](http://www.freekids.pl)

rev. 001/2026