

Piaskowy domek 1

0270011

DREWNO - ROBIN WOOD



Material specification:

| | |
|--|--|
| Construction Material | Made of natural black locust wood, resistant to weather conditions, without sharp edges. |
| Additional Elements Handrails | stainless steel |
| Platforms | plywood or HPL Panels |
| Foundation | buried in the ground to a specified depth and concreted with at least B-20 class concrete or bolted to a concrete base |
| Other | Śruby wykonane ze stali nierdzewnej z poliamidowymi nakładkami. Kamienie wspinaczkowe z wytrzymałego tworzywa. |

Due to continuous improvement of technical solutions by Freekids, the presented drawings, including colours and dimensions, may differ slightly from currently manufactured devices.



FreeKids s.c. A. Gąsiorek, Z.Andruszewski
Trzęsowice 32, 55-106 Zawonia

tel./fax: +48 71 312 72 50, +48 724 654 898
e-mail: biuro@freekids.pl www.freekids.pl

rev. 001/2026

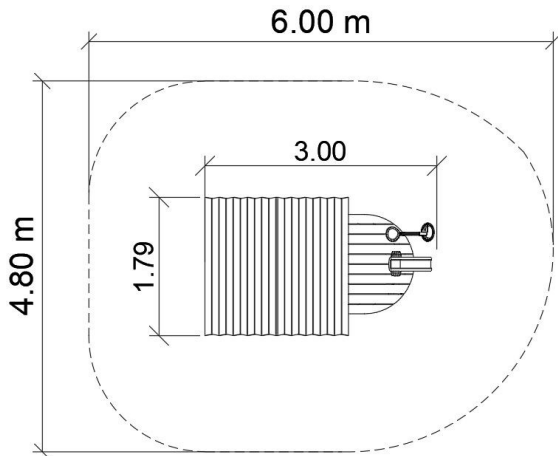
Piaskowy domek 1

0270011

DREWNO - ROBIN WOOD

DEVICE DATA:

| | |
|---------------------------|----------------------|
| Device dimension | 3,00 x 1,79 x 2,00 m |
| Zone dimension | 4,8 x 6,0 m |
| Fall height | 0,3 m m |
| Safety zone area | 25,0 m2 m2 |
| User age | 3-12 |
| Number of users | 8 |
| Material | Drewno |
| Low fall height | tak |
| Compliance with standards | PN-EN 1176 |



Due to continuous improvement of technical solutions by Freekids, the presented drawings, including colours and dimensions, may differ slightly from currently manufactured devices.



FreeKids s.c. A. Gąsiorek, Z.Andruszewski
Trzęsowice 32, 55-106 Zawonia

tel./fax: +48 71 312 72 50, +48 724 654 898
e-mail: biuro@freekids.pl www.freekids.pl

rev. 001/2026