

Piaskownica 3

drewniana

0050010

DREWNO - PIASKOWNICE



Material specification:

| | |
|---------------|---|
| Boards | Durable HPL sheet |
| Other | Konstrukcja z deski sosnowej 95x45, z nakładką HPL. Śruby wykonane ze stali nierdzewnej z poliamidowymi nakładkami. |

Due to continuous improvement of technical solutions by Freekids, the presented drawings, including colours and dimensions, may differ slightly from currently manufactured devices.



FreeKids s.c. A. Gąsiorek, Z.Andruszewski
Trzęsowice 32, 55-106 Zawonia

tel./fax: +48 71 312 72 50, +48 724 654 898
e-mail: biuro@freekids.pl www.freekids.pl

rev. 001/2026

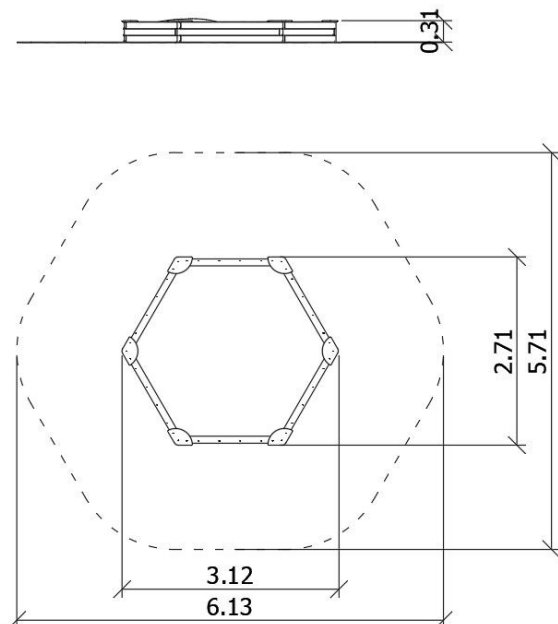
Piaskownica 3 drewniana

0050010

DREWNO - PIASKOWNICE

DEVICE DATA:

| | |
|---------------------------|----------------------|
| Device dimension | 3,12 x 2,71 x 0,31 m |
| Zone dimension | 6,13 x 5,71 m |
| Fall height | 0,31 m |
| Safety zone area | 27,48 m ² |
| User age | 1-8 |
| Number of users | 10 |
| Material | Drewno |
| Low fall height | tak |
| Compliance with standards | PN-EN 1176 |



Due to continuous improvement of technical solutions by Freekids, the presented drawings, including colours and dimensions, may differ slightly from currently manufactured devices.



FreeKids s.c. A. Gąsiorek, Z. Andruszewski
Trzęsowice 32, 55-106 Zawonia

tel./fax: +48 71 312 72 50, +48 724 654 898
e-mail: biuro@freekids.pl www.freekids.pl

rev. 001/2026