

Ławka bez oparcia

Scandi

0011001

METAL - ŁAWKI, ŁAWOSTOŁY



Due to continuous improvement of technical solutions by Freekids, the presented drawings, including colours and dimensions, may differ slightly from currently manufactured devices.



FreeKids s.c. A. Gąsiorek, Z.Andruszewski  
Trzęsowice 32, 55-106 Zawonia

tel./fax: +48 71 312 72 50, +48 724 654 898  
e-mail: [biuro@freekids.pl](mailto:biuro@freekids.pl) [www.freekids.pl](http://www.freekids.pl)

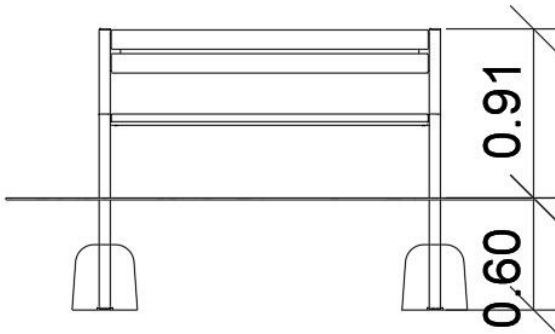
rev. 001/2026

# Ławka bez oparica Scandi

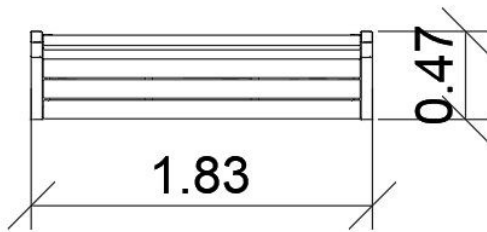
0011001

METAL - ŁAWKI, ŁAWOSTOŁY

## DEVICE DATA:



Device dimension	1,83 x 0,38 x 0,45
Zone dimension	nie dotyczy
Fall height	nie dotyczy m
Safety zone area	nie dotyczy m2
User age	nie dotyczy
Number of users	nie dotyczy
Material	Metal
Low fall height	nie dotyczy



Due to continuous improvement of technical solutions by Freekids, the presented drawings, including colours and dimensions, may differ slightly from currently manufactured devices.



FreeKids s.c. A. Gąsiorek, Z.Andruszewski  
Trzęsowice 32, 55-106 Zawonia

tel./fax: +48 71 312 72 50, +48 724 654 898  
e-mail: [biuro@freekids.pl](mailto:biuro@freekids.pl) [www.freekids.pl](http://www.freekids.pl)

rev. 001/2026