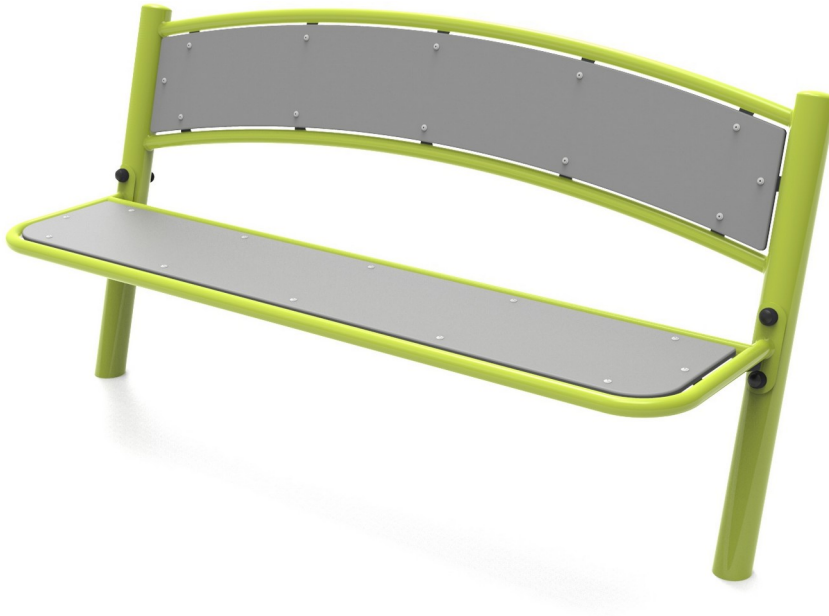


# Ławka stalowa skośna

0011008

METAL - ŁAWKI, ŁAWOSTOŁY



## Material specification:

<b>Construction Material</b>	galvanized steel coated with powder paint for durability and corrosion resistance or made of stainless steel
<b>Foundation</b>	buried in the ground to a specified depth and concreted with at least B-20 class concrete
<b>Boards</b>	HDPE sheets with milled drawings

Due to continuous improvement of technical solutions by Freekids, the presented drawings, including colours and dimensions, may differ slightly from currently manufactured devices.



FreeKids s.c. A. Gąsiorek, Z.Andruszewski  
Trzęsowice 32, 55-106 Zawonia

tel./fax: +48 71 312 72 50, +48 724 654 898  
e-mail: [biuro@freekids.pl](mailto:biuro@freekids.pl) [www.freekids.pl](http://www.freekids.pl)

rev. 001/2026

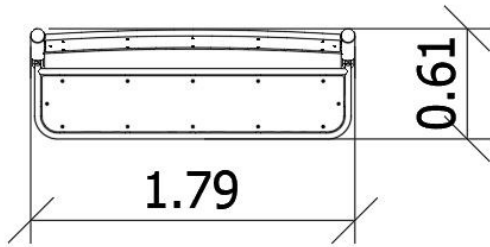
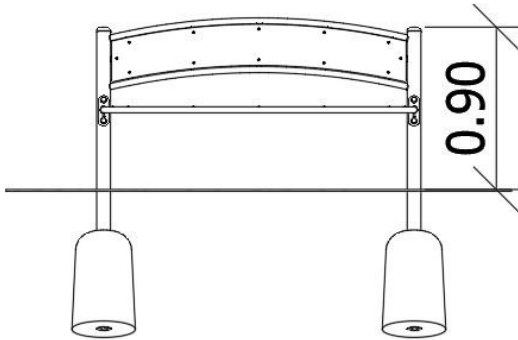
# Ławka stalowa skośna

0011008

METAL - ŁAWKI, ŁAWOSTOŁY

## DEVICE DATA:

Device dimension	1,79 x 0,61 x 0,90 m
Zone dimension	nie dotyczy
Fall height	nie dotyczy m
Safety zone area	nie dotyczy m2
User age	nie dotyczy
Number of users	nie dotyczy
Material	Metal
Low fall height	nie dotyczy



Due to continuous improvement of technical solutions by Freekids, the presented drawings, including colours and dimensions, may differ slightly from currently manufactured devices.



FreeKids s.c. A. Gąsiorek, Z.Andruszewski  
Trzęsowice 32, 55-106 Zawonia

tel./fax: +48 71 312 72 50, +48 724 654 898  
e-mail: [biuro@freekids.pl](mailto:biuro@freekids.pl) [www.freekids.pl](http://www.freekids.pl)

rev. 001/2026