

Równoważnia prosta

0280012

DREWNO - HOP! Wood



Material specification:

Construction Material	made of glued wood, surface-impregnated, square cross-section 95 x 95 mm
Platforms	plywood or HPL Panels
Foundation	buried in the ground to a specified depth and concreted with at least B-20 class concrete or bolted to a concrete base
Sheets	HDPE sheets with milled drawings

Due to continuous improvement of technical solutions by Freekids, the presented drawings, including colours and dimensions, may differ slightly from currently manufactured devices.



FreeKids s.c. A. Gąsiorek, Z.Andruszewski
Trzęsowice 32, 55-106 Zawonia

tel./fax: +48 71 312 72 50, +48 724 654 898
e-mail: biuro@freekids.pl www.freekids.pl

rev. 001/2026

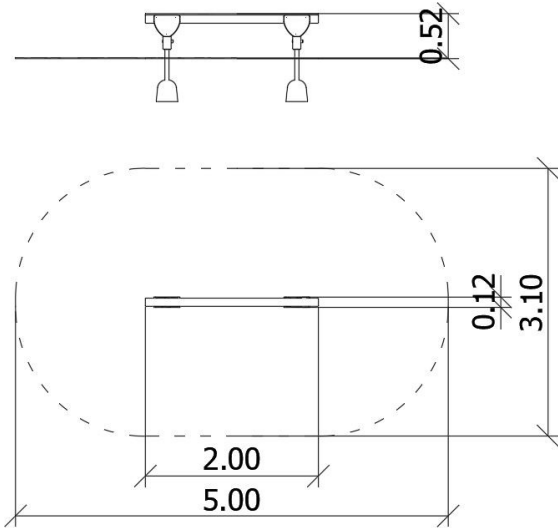
Równoważnia prosta

0280012

DREWNO - HOP! Wood

DEVICE DATA:

Device dimension	2,00 x 0,12 x 0,52 m
Zone dimension	5,00 x 3,10 m
Fall height	0,52 m
Safety zone area	13,5 m ²
User age	3-12
Number of users	1
Material	Drewno
Low fall height	tak
Compliance with standards	PN-EN 1176



Due to continuous improvement of technical solutions by Freekids, the presented drawings, including colours and dimensions, may differ slightly from currently manufactured devices.



FreeKids s.c. A. Gąsiorek, Z.Andruszewski
Trzęsowice 32, 55-106 Zawonia

tel./fax: +48 71 312 72 50, +48 724 654 898
e-mail: biuro@freekids.pl www.freekids.pl

rev. 001/2026