

Kosz na śmieci Street

0012002

METAL - KOSZE NA ŚMIECI



Material specification:

| | |
|--|---------------------------------------|
| Additional Elements Handrails | galvanized black steel, powder-coated |
| Platforms | plywood or HPL Panels |

Due to continuous improvement of technical solutions by Freekids, the presented drawings, including colours and dimensions, may differ slightly from currently manufactured devices.



FreeKids s.c. A. Gąsiorek, Z.Andruszewski
Trzęsowice 32, 55-106 Zawonia

tel./fax: +48 71 312 72 50, +48 724 654 898
e-mail: biuro@freekids.pl www.freekids.pl

rev. 001/2026

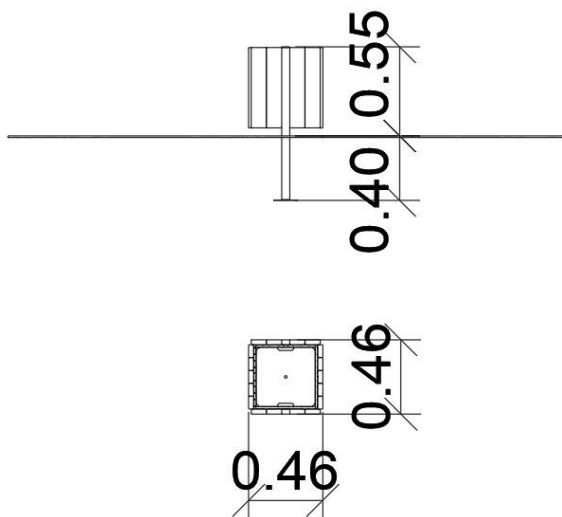
Kosz na śmieci Street

0012002

METAL - KOSZE NA ŚMIECI

DEVICE DATA:

| | |
|------------------|----------------------|
| Device dimension | 0,46 x 0,46 x 0,55 m |
| Fall height | nie dotyczy m |
| Safety zone area | nie dotyczy m2 |
| User age | nie dotyczy |
| Number of users | nie dotyczy |
| Material | Metal |
| Low fall height | nie dotyczy |



Due to continuous improvement of technical solutions by Freekids, the presented drawings, including colours and dimensions, may differ slightly from currently manufactured devices.



FreeKids s.c. A. Gąsiorek, Z.Andruszewski
Trzęsowice 32, 55-106 Zawonia

tel./fax: +48 71 312 72 50, +48 724 654 898
e-mail: biuro@freekids.pl www.freekids.pl

rev. 001/2026