



Inclusive

Huśtawka bocianie gniazdo industrial

0020022

METAL - INDUSTRIAL



Material specification:

Construction Material	galvanized steel coated with powder paint for durability and corrosion resistance or made of stainless steel
Foundation	buried in the ground to a specified depth and concreted with at least B-20 class concrete or bolted to a concrete base
Sheets	Durable HPL sheet
UV Prints	Multilayer, durable UV prints, resistant to weather conditions
Other	Śruby wykonane ze stali nierdzewnej z poliamidowymi nakładkami. Łańcuchy ze stali nierdzewnej. Bezpieczne i ergonomiczne siedziska.

Due to continuous improvement of technical solutions by Freekids, the presented drawings, including colours and dimensions, may differ slightly from currently manufactured devices.



FreeKids s.c. A. Gąsiorek, Z.Andruszewski
Trzęsowice 32, 55-106 Zawonia

tel./fax: +48 71 312 72 50, +48 724 654 898
e-mail: biuro@freekids.pl www.freekids.pl

rev. 001/2026

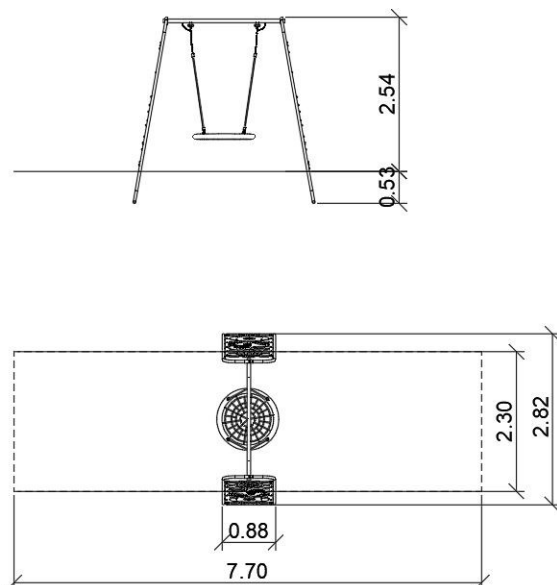
Huśtawka bocianie gniazdo industrial

0020022

METAL - INDUSTRIAL

DEVICE DATA:

Device dimension	2,30 x 0,88 x 2,54 m
Zone dimension	2,82 x 7,70 m
Fall height	1,40 m
Safety zone area	17,71 m ²
User age	1-12
Number of users	4
Material	Metal
Low fall height	nie
Compliance with standards	PN-EN 1176



Huśtawka z bocznymi panelami manipulacyjnymi, wyposażonymi w obrotowych 6 kół zębatach i 4 poręteł. Huśtawka na słupach z giętych rur okrągłych.

Due to continuous improvement of technical solutions by Freekids, the presented drawings, including colours and dimensions, may differ slightly from currently manufactured devices.



FreeKids s.c. A. Gąsiorek, Z.Andruszewski
Trzęsowice 32, 55-106 Zawonia

tel./fax: +48 71 312 72 50, +48 724 654 898
e-mail: biuro@freekids.pl www.freekids.pl

rev. 001/2026