

# Ławka z oparciem

## Urban

0011007

**METAL - BENCHES, TABLES**



:

--	--

Due to continuous improvement of technical solutions by Freekids, the presented drawings, including colours and dimensions, may differ slightly from currently manufactured devices.



FreeKids s.c. A. Gąsiorek, Z.Andruszewski  
Trzęsowice 32, 55-106 Zawonia

tel./fax: +48 71 312 72 50, +48 724 654 898  
e-mail: [biuro@freekids.pl](mailto:biuro@freekids.pl) [www.freekids.pl](http://www.freekids.pl)

rev. 001/2026

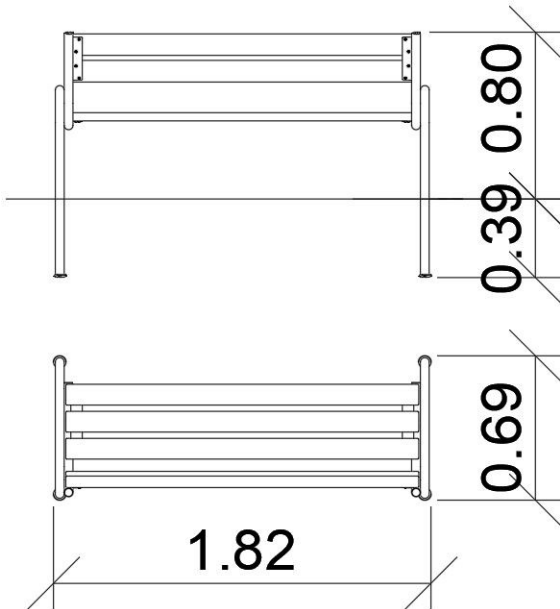
# Ławka z oparciem Urban

0011007

**METAL - BENCHES, TABLES**

## DEVICE DATA:

Device dimension	1,82 x 0,69 x 0,80 m
Zone dimension	nie dotyczy
Fall height	nie dotyczy m
Safety zone area	nie dotyczy m <sup>2</sup>
User age	nie dotyczy
Number of users	nie dotyczy
Material	Metal
Low fall height	nie dotyczy



Due to continuous improvement of technical solutions by Freekids, the presented drawings, including colours and dimensions, may differ slightly from currently manufactured devices.



FreeKids s.c. A. Gąsiorek, Z.Andruszewski  
Trzęsowice 32, 55-106 Zawonia

tel./fax: +48 71 312 72 50, +48 724 654 898  
e-mail: [biuro@freekids.pl](mailto:biuro@freekids.pl) [www.freekids.pl](http://www.freekids.pl)

rev. 001/2026