

Vibu Wieża 1A

0170103

METAL - VIBU



Material specification:

Construction Material	galvanized steel coated with powder paint for durability and corrosion resistance or made of stainless steel
Additional Elements Handrails	galvanized black steel, powder-coated or stainless steel
Platforms	plywood or HPL Panels
Foundation	buried in the ground to a specified depth and concreted with at least B-20 class concrete or bolted to a concrete base
Boards	HDPE sheets with milled drawings or Solid polycarbonate sheets, clear or tinted
Slides	made of stainless steel, tubular, tube-shaped, or with HDPE plate sides
Ropes	Steel-core ropes with polypropylene sheathing, connected via plastic or aluminum connectors.

Due to continuous improvement of technical solutions by Freekids, the presented drawings, including colours and dimensions, may differ slightly from currently manufactured devices.



FreeKids s.c. A. Gąsiorek, Z.Andruszewski
Trzęsowice 32, 55-106 Zawonia

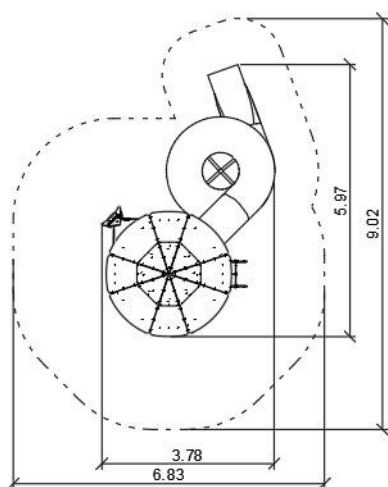
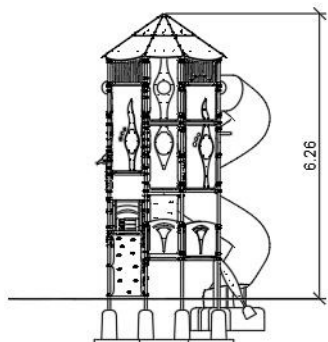
tel./fax: +48 71 312 72 50, +48 724 654 898
e-mail: biuro@freekids.pl www.freekids.pl

rev. 001/2026

Vibu Wieża 1A

0170103

METAL - VIBU



DEVICE DATA:

Device dimension	5,97 x 3,78 x 6,26 m
Zone dimension	9,02 x 6,83 m
Fall height	1,50 m
Safety zone area	45,62 m ²
User age	3-12
Number of users	39
Material	Metal
Low fall height	nie
Compliance with standards	PN-EN 1176

Due to continuous improvement of technical solutions by Freekids, the presented drawings, including colours and dimensions, may differ slightly from currently manufactured devices.



FreeKids s.c. A. Gąsiorek, Z.Andruszewski
Trzęsowice 32, 55-106 Zawonia

tel./fax: +48 71 312 72 50, +48 724 654 898
e-mail: biuro@freekids.pl www.freekids.pl

rev. 001/2026