

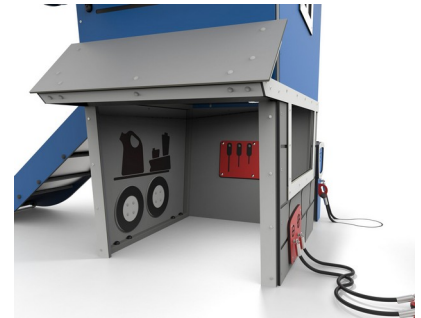


Inclusive

# Warsztat

0210010

METAL - MINI CITY



## Material specification:

<b>Construction Material</b>	galvanized steel coated with powder paint for durability and corrosion resistance or made of stainless steel
<b>Platforms</b>	HPL Panels
<b>Foundation</b>	buried in the ground to a specified depth and concreted with at least B-20 class concrete or bolted to a concrete base
<b>Boards</b>	HDPE sheets with milled drawings or Durable HPL sheet
<b>Slides</b>	made of stainless steel, tubular, tube-shaped, or with HDPE plate sides
<b>Ropes</b>	Steel-core ropes with polypropylene sheathing, connected via plastic or aluminum connectors.
<b>Other</b>	Śruby wykonane ze stali nierdzewnej z poliamidowymi nakładkami.

Due to continuous improvement of technical solutions by Freekids, the presented drawings, including colours and dimensions, may differ slightly from currently manufactured devices.



FreeKids s.c. A. Gąsiorek, Z.Andruszewski  
Trzęsowice 32, 55-106 Zawonia

tel./fax: +48 71 312 72 50, +48 724 654 898  
e-mail: [biuro@freekids.pl](mailto:biuro@freekids.pl) [www.freekids.pl](http://www.freekids.pl)

rev. 001/2026

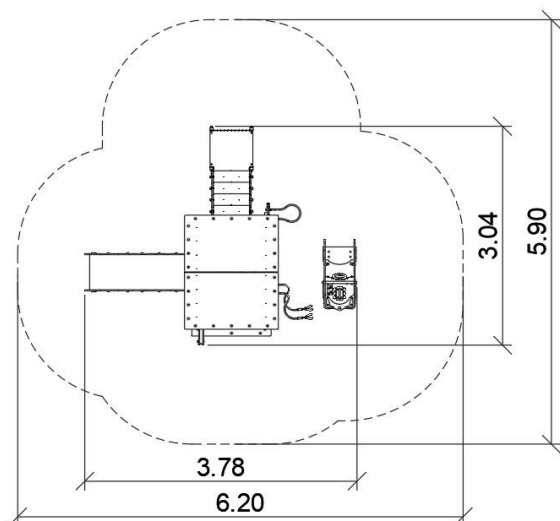
# Warsztat

0210010

METAL - MINI CITY

## DEVICE DATA:

Device dimension	3,04 x 3,78 x 2,19 m
Zone dimension	5,90 x 6,20 m
Fall height	0,90 m
Safety zone area	27,5 m <sup>2</sup>
User age	2-6
Number of users	10
Material	Metal
Low fall height	tak
Compliance with standards	PN-EN 1176



Due to continuous improvement of technical solutions by Freekids, the presented drawings, including colours and dimensions, may differ slightly from currently manufactured devices.



FreeKids s.c. A. Gąsiorek, Z.Andruszewski  
Trzęsowice 32, 55-106 Zawonia

tel./fax: +48 71 312 72 50, +48 724 654 898  
e-mail: [biuro@freekids.pl](mailto:biuro@freekids.pl) [www.freekids.pl](http://www.freekids.pl)

rev. 001/2026