

# Bujak Koło ratunkowe

0030024

METAL - BUJAKI I SPRĘŻYNOWCE



## Material specification:

<b>Construction Material</b>	galvanized steel coated with powder paint for durability and corrosion resistance
<b>Additional Elements Handrails</b>	stainless steel
<b>Platforms</b>	HPL Panels
<b>Foundation</b>	buried in the ground to a specified depth and concreted with at least B-20 class concrete
<b>Sheets</b>	HDPE sheets with milled drawings
<b>Other</b>	Sprężyny stalowe i malowane proszkowo. Śruby wykonane ze stali nierdzewnej z poliamidowymi nakładkam

Due to continuous improvement of technical solutions by Freekids, the presented drawings, including colours and dimensions, may differ slightly from currently manufactured devices.



FreeKids s.c. A. Gąsiorek, Z.Andruszewski  
Trzęsowice 32, 55-106 Zawonia

tel./fax: +48 71 312 72 50, +48 724 654 898  
e-mail: [biuro@freekids.pl](mailto:biuro@freekids.pl) [www.freekids.pl](http://www.freekids.pl)

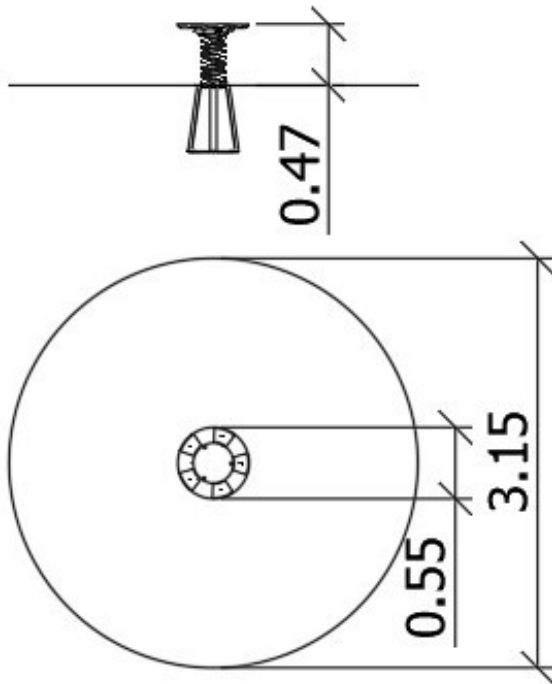
rev. 001/2026

# Bujak Koło ratunkowe

0030024

**METAL - BUJAKI I SPRĘŻYNOWCE**

## DEVICE DATA:



Device dimension	0,55 x 0,55 x 0,47 m
Zone dimension	ø3,15 m
Fall height	0,47 m
Safety zone area	7,80 m <sup>2</sup>
User age	2-6
Number of users	1
Material	Metal
Low fall height	tak
Compliance with standards	PN-EN 1176

Due to continuous improvement of technical solutions by Freekids, the presented drawings, including colours and dimensions, may differ slightly from currently manufactured devices.